

AUTOMOTIVE POWER DISTRIBUTION

INNOVATIVE TECHNOLOGIES

TE Connectivity (TE) is a leader in automotive connectivity and sensor technology. Our engineers are always working to meet complex requirements. We connect nearly every electronic function in the vehicle - from alternative power systems to infotainment and sensor technologies. Our technologies withstand harsh environments and tolerate high temperature, vibration, shock, pressure and long-life in electronic control systems.



INTERCONNECTION SYSTEMS

Our electrical and electronic interconnection products and solutions are used to electrically and mechanically connect wires and cables, printed circuit boards, integrated circuit packages, batteries and more.



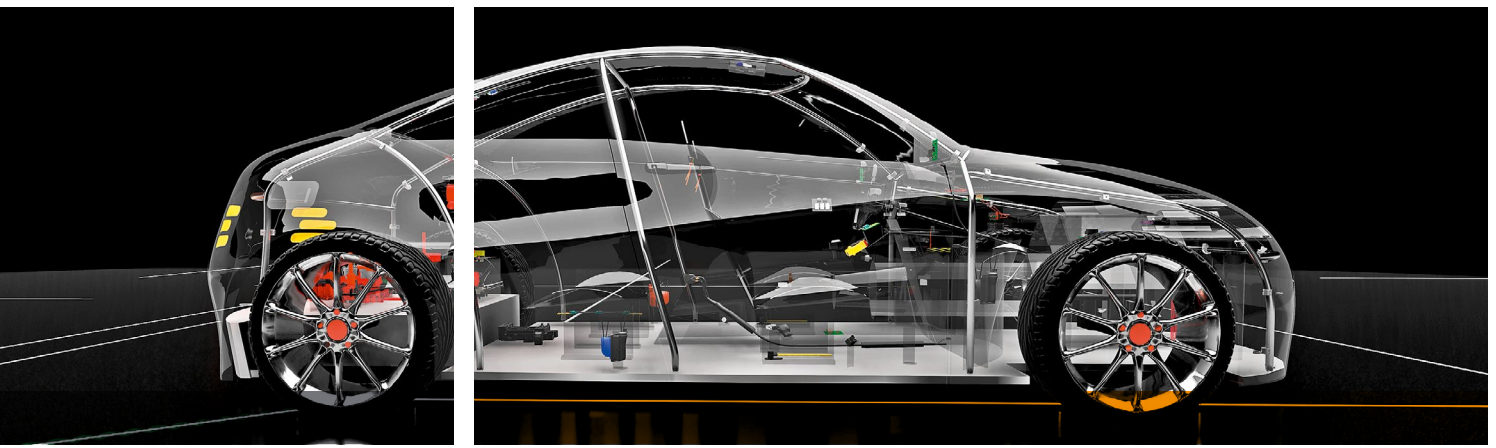
CABLE ASSEMBLIES

TE is your partner for vehicle-specific cable assemblies. We offer research and development capabilities, prototypes and samples, as well as manufacturing facilities.



HYBRID & ELECTRIC MOBILITY SOLUTIONS

Our technologies leverage decades of innovation and experience with high-voltage transmission and distribution. Our hybrid and electric mobility solutions include a complete line of connectors, terminals, sensors, cable assemblies, contactors, and battery connection protection to help safeguard the flow of power in hybrid and electric vehicles. Connection after connection, you can count on TE for smaller, greener, lighter and smarter solutions you can trust.



SENSOR SOLUTIONS

Data is critical for making vehicles safer, greener, smarter and more connected. Customers rely on our sensor technology to provide data for control, adaptation and response of vehicle functions and features that increase safety, comfort, efficiency, and more. We collaborate to provide solutions for demanding and harsh applications such as automated transmissions, engines, chassis, clutch, brake and exhaust. Our products can be found in vehicles traveling the world's roads and highways.




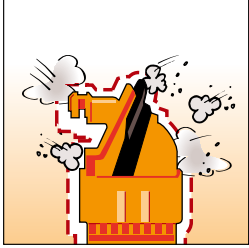
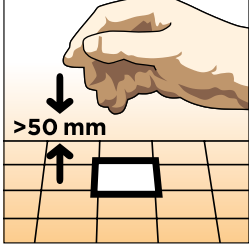
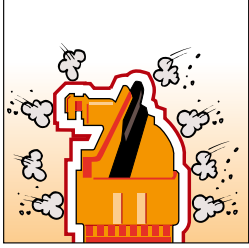
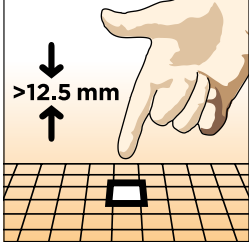
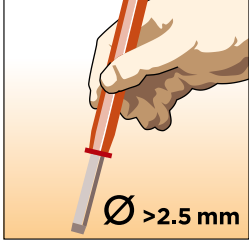
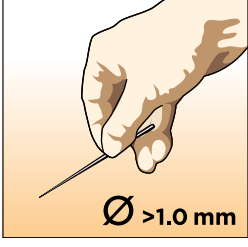
INFOTAINMENT


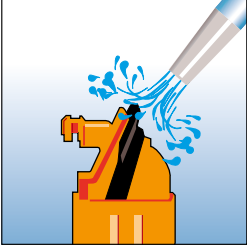

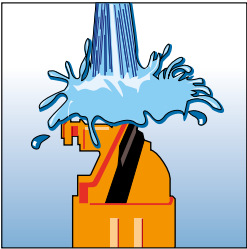
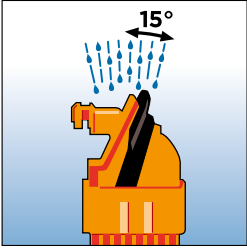
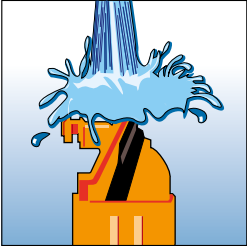
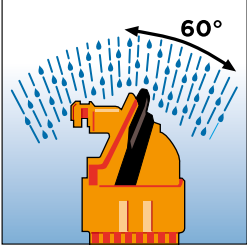
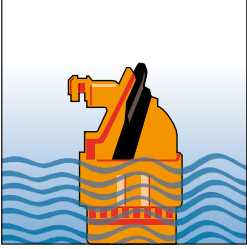
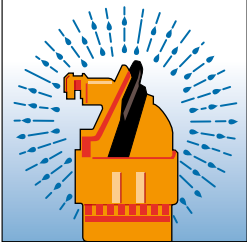
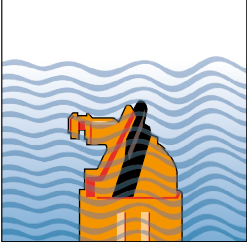
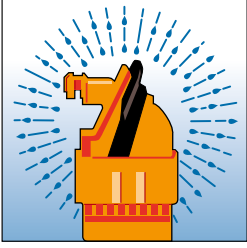

Our wide range of infotainment solutions are ideal for consumer port connections, high data rate applications, next-generation harness architecture, board-to-board connections and vehicle-to-vehicle communication.



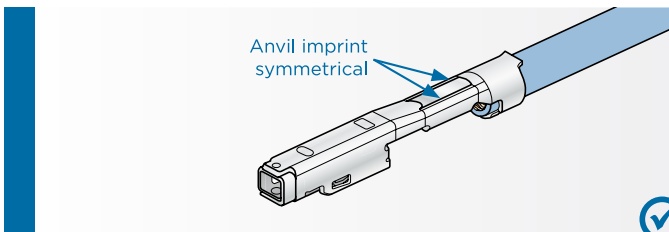
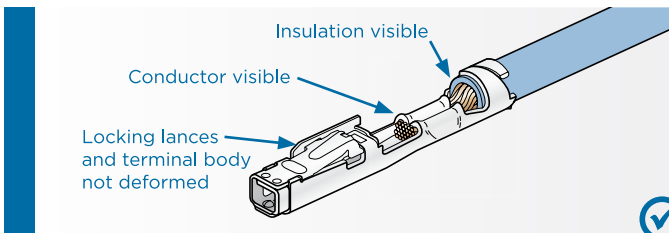
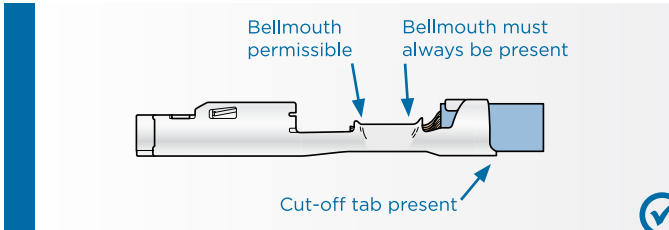
RELAYS

From passenger comfort and infotainment to higher DC voltages and power levels to harsh environments, our relays and contactors provide critical switching functions in multiple vehicle applications. With increased contact gaps and other key design features, our relays are ideal for harsh environments such as shock and vibration.

1st Digit Against Foreign Objects (incl. Dust)	1st Digit Against Foreign Objects (incl. Dust)
<p>0</p>  <p>Not protected.</p>	<p>5K</p>  <p>Dust protected.</p>
<p>1</p>  <p>Protected against solid objects greater than 50 mm (ex. back of hand).</p>	<p>6K</p>  <p>Dust tight.</p>
<p>2</p>  <p>Protected against solid objects greater than 12.5 mm (ex. finger).</p>	
<p>3</p>  <p>Protected against solid objects greater than 2.5 mm (ex. tool).</p>	
<p>4</p>  <p>Protected against solid objects greater than 1.0 mm (ex. wire).</p>	

2nd Digit	Against Water	2nd Digit	Against Water
0	 <p>Not protected.</p>	5	 <p>Protected against jetting water.</p>
1	 <p>Protected against vertically dripping water.</p>	6	 <p>Protected against powerfully jetting water.</p>
2	 <p>Protected against dripping water when tilted up to 15°.</p>	6K	 <p>Protected against powerfully jetting water with increased pressure (Automotive).</p>
3	 <p>Protected against spraying water (up to 60° inclination).</p>	7	 <p>Protected against the temporary effects of immersion up to 1 meter.</p>
4	 <p>Protected against splashing water.</p>	8	 <p>Protected against continuous submersion agreed with customer, but more severe than code 7.</p>
4K	 <p>Protected against splashing water with increased pressure.</p>	9K	 <p>Protected against high-pressure/steam-jet cleaning (Automotive).</p>

Good Crimp Quality



Test

WIRE CRIMP

Crimp heights and tolerances
For crimp height tolerances for any given contact, please refer to the relevant application specification.

Examples

Contact	P/N	Wire Range	Tolerance	Spec.
JJPT	927775	0.50-1.00 mm ²	±0.05 mm	114-18050
JPT	927773	1.50-2.50 mm ²	±0.05 mm	114-18050
MQS	962885	0.20-0.50 mm ²	±0.03 mm	114-18025

WIRE CRIMP

Digital crimp height micrometer (0.001 mm increments) according to DIN ISO 9001
Part number: 547203-1

0.5

60°

INSULATION CRIMP

Wire crimp without conductor

30°

30°

Insulation must be securely held after bend test (one bend cycle)

Incorrect Crimp Quality

<p>Terminal body damaged</p>	<p>F-CRIMP</p>	<p>Crimp legs are not closed</p> <p>Insulation is pierced</p>
<p>Single core crimped on terminal</p>	<p>INSULATION CRIMP OVERLAP CRIMP</p>	<p>Crimp legs do not overlap</p> <p>Insulation is pierced</p>
<p>Terminal twisted</p>	<p>WRAP OVER CRIMP</p>	<p>Insulation is not securely held</p> <p>Insulation is over crimped</p>
<p>Cut off tab too long</p>	<p>Conductor brush protrudes into terminal body</p> <p>Insulation inside the wire crimp</p>	
<p>Crimp barrel distorted</p>	<p>Wire bent</p>	
<p>Terminal bent</p>	<p>Terminal bent</p>	

Correct
Incorrect
Test

At TE Connectivity, we support your RoHS requirements. We've assessed more than 1.5 million end items/components for RoHS compliance, and issued new part numbers where any change was required to eliminate the restricted materials. Part numbers in this catalog are identified as:

RoHS Compliant

Part numbers in this catalog are RoHS Compliant, unless marked otherwise. These products comply with European Union Directive 2002/95/EC as amended 1 January 2006 that restricts the use of lead, mercury, cadmium, hexavalent chromium, PBB, and PBDE in certain electrical and electronic products sold into the EU as of 1 July 2006.

Note: For purposes of this Catalog, included within the definition of RoHS Compliant are products that are clearly "Out of Scope" of the RoHS Directive such as hand tools and other non-electrical accessories.

Non-RoHS Compliant

These part numbers are identified with a "t" symbol. These products do not comply with the material restrictions of the European Union Directive 2002/95/EC.

5 of 6 Compliant

A "l" symbol identifies these part numbers. These products do not fully comply with the European Union Directive 2002/95/EC because they contain lead in solderable interfaces (they do not contain any of the other five restricted substances above allowable limits). However, these products may be suitable for use in RoHS applications where there is an application-based exception for lead in solders, such as the server, storage, or networking infrastructure exemption.

Note: Information regarding RoHS compliance is provided based on reasonable inquiry of our suppliers and represents our current actual knowledge based on the information provided by our suppliers. This information is subject to change. For latest compliance status, refer to our website referenced below. So whatever your questions when it comes to RoHS, we've got the answers at <http://www.TE.com/customersupport/rohssupportcenter/>

Getting the information you need

Our comprehensive on-line RoHS Customer Support Center provides a forum to answer your questions and support your RoHS needs. A RoHS FAQ (Frequently Asked Questions) is available with links to more detailed information. You can also submit RoHS questions and receive a response within 24 hours during a normal work week. The Support Center also provides:

- Cross-Reference from Non-compliant to Compliant Products
- Ability to browse RoHS Compliant Products in our on-line catalog:
www.TE.com/commerce/alt/RohsAltHome.do
- Downloadable Technical Data Customer Information Presentation
- More detailed information regarding the definitions used above

AWG Code	Diameter (Inch)	Diameter (mm)	F (mm ²)
000000	0.5800	14.733	170.0
00000	0.5165	13.13	135.0
0000	0.4600	11.684	103.8
000	0.4096	10.40	79.0
00	0.3648	9.27	67.5
0	0.3249	8.25	53.4
1	0.2893	7.34	42.2
2	0.2576	6.55	33.7
3	0.2294	5.82	26.6
4	0.2043	5.18	21.0
5	0.1819	4.62	16.9
6	0.1620	4.115	13.25
7	0.1443	3.66	10.25
8	0.1285	3.26	8.34
9	0.1144	2.90	6.6
10	0.1019	2.59	5.27
11	0.0907	2.30	4.15
12	0.0808	2.05	3.3
13	0.0720	1.83	2.63
14	0.0641	1.63	2.08
15	0.0571	1.45	1.65
16	0.0508	1.29	1.305
17	0.0453	1.14	1.01
18	0.0403	1.02	0.79
19	0.0359	0.91	0.65
20	0.0320	0.81	0.51
21	0.0285	0.72	0.407
22	0.0253	0.64	0.32
23	0.0226	0.57	0.255
24	0.0201	0.51	0.205
25	0.0179	0.455	0.162
26	0.0159	0.40	0.125
27	0.0142	0.36	0.102
28	0.0126	0.320	0.08
29	0.0113	0.287	0.0646
30	0.0100	0.254	0.0516
31	0.0089	0.226	0.04
32	0.0080	0.203	0.0324
33	0.0071	0.180	0.0255
34	0.0063	0.160	0.02
35	0.0056	0.142	0.0158
36	0.0050	0.127	0.0127
37	0.0045	0.114	0.01
38	0.0040	0.101	0.008
39	0.0035	0.089	0.0062
40	0.0031	0.079	0.0049
41	0.0028	0.071	0.00395
42	0.0025	0.064	0.00321
43	0.0022	0.056	0.00246
44	0.00198	0.050	0.00196
45	0.00176	0.045	
46	0.00157	0.040	
47	0.00140	0.036	
48	0.00124	0.031	
49	0.00110	0.028	
50	0.00099	0.025	

Remark: Starting from 0.03 mm² (AWG 32) a wire can be crimped.

**Automotive
Power Distribution**

Powertrain Systems Safety & Security Systems Convenience Driver Information Body & Chassis Systems Page

Automotive Power Distribution

Introduction 1

1 Hardwired Power Distribution Boxes

MFINITY Fuse and Relay Box 3

1.1 Battery Distribution Unit

Introduction 5

Fuse and Relay Holder 3 / 5 / 7 - High Current Fuses	●	●	●	X	●	6
--	---	---	---	---	---	---

MFINITY - Pre-Fuse SF 30 Module, 8 Positions	●	●	●	X	●	7
--	---	---	---	---	---	---

MFINITY - Type A Fuse Module, 14 Positions - Busbar Version	●	●	●	X	●	8
---	---	---	---	---	---	---

MFINITY - Type A Fuse Module, 14 Positions - Wire-by-wire Version	●	●	●	X	●	9
---	---	---	---	---	---	---

1.2 Module Components: Fuse and Relay Holder

Introduction 11

10 Miniature Fuses Holder	●	●	●	X	●	12
---------------------------	---	---	---	---	---	----

MFINITY - Miniature Fuse Module, 16 Positions	●	●	●	X	●	13
---	---	---	---	---	---	----

Fuse Holder for Miniature Fuse (8 Miniature Fuses)	●	●	●	X	●	14
--	---	---	---	---	---	----

High Current Fuses Holder, 2 Positions	●	●	●	X	●	15
--	---	---	---	---	---	----

High Current Fuses Holder, 2 Positions	●	●	●	X	●	16
--	---	---	---	---	---	----

MFINITY - Medium Fuse Module, 12 Positions	●	●	●	X	●	17
--	---	---	---	---	---	----

Medium Fuse Holder, 4 Positions	●	●	●	X	●	18
---------------------------------	---	---	---	---	---	----

MFINITY - Mini Relay Module, 2 Positions	●	●	●	X	●	19
--	---	---	---	---	---	----

Relays Holder Gen1 (1 Mini Relay 35-40 A)	●	●	●	X	●	20
---	---	---	---	---	---	----

Modular Relays Holder Gen2 (Relay 35-40 A)	●	●	●	X	●	21
--	---	---	---	---	---	----

MFINITY - Micro Relay Module, 4 Positions	●	●	●	X	●	22
---	---	---	---	---	---	----

Modular Relays Holder Gen2 (2 Micro Relays)	●	●	●	X	●	23
---	---	---	---	---	---	----

Relays Holder Gen1 (2 Micro Relays)	●	●	●	X	●	24
-------------------------------------	---	---	---	---	---	----

MFINITY - Maxi Relay Module (2 Positions)	●	●	●	X	●	25
---	---	---	---	---	---	----

Modular Relays Holder Gen 2 (Relay 50-70 A)	●	●	●	X	●	26
---	---	---	---	---	---	----

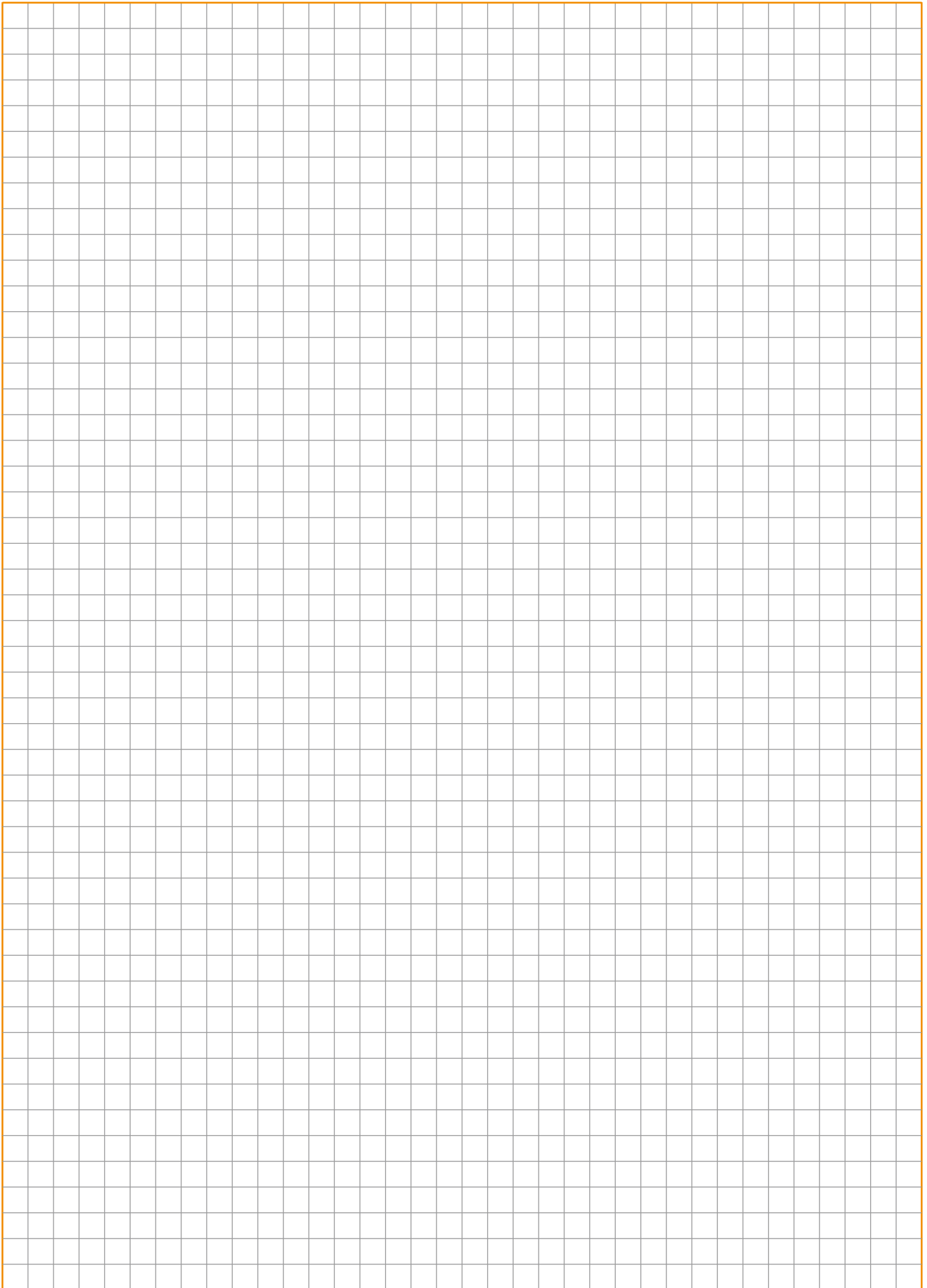
Automotive Power Distribution		Powertrain Systems	Safety & Security Systems	Convenience	Driver Information	Body & Chassis Systems	Page
1 Hardwired Power Distribution Boxes							
1.2 Module Components: Fuse and Relay Holder							
	Relays Holder Gen1 (1 Maxi Relay 50-60 A)	●	●	●	✗	●	27
	Relays Holder Gen1 (1 Maxi Relay 70 A)	●	●	●	✗	●	28
1.3 Components: Fuse and Relay Box							
	Introduction						29
	Fuse and Relay Holder - 6 Miniature Fuses	●	●	●	✗	●	30
	Fuse and Relay Holder - 36 Miniature Fuses	●	●	●	✗	●	31
	Medium Fuse Holder - 5 Positions	●	●	●	✗	●	32
	Medium Fuse Holder - 12 Positions	●	●	●	✗	●	33
1.4 Busbars, Terminals and Accessories							
	Introduction						35
	Shorting Busbar Miniature Fuses	●	●	●	✗	●	36
	MFINITY - Bracket Module, 180°	●	●	●	✗	●	37
	MFINITY - Bracket Module, 90°	●	●	●	✗	●	38
	Brackets for Modular Relay or Fuse Holder, 1 Position	●	●	●	✗	●	39
	Brackets for Modular Relay or Fuse Holder, 2 Positions	●	●	●	✗	●	40
	MFINITY - Spare Fuse Module	●	●	●	✗	●	41
	MFINITY - Cover for Pre-Fuse SF30 Module	●	●	●	✗	●	42
	MFINITY - Cover for Type A Fuse Module	●	●	●	✗	●	43
2 PCB Terminals and Holders							
	Introduction						45
2.1 1.5 mm Contacts							
	MQS 1.5 mm Terminal	●	●	●	✗	●	46
	Tab Contact 1.5 x 0.8 mm	●	●	●	✗	●	47
	AMP MCP Tab 1.5 x 0.8 mm - Plain	●	●	●	✗	●	48
	1.5 mm Autofuse Contact - Plated	●	●	●	✗	●	49

**Automotive
Power Distribution**

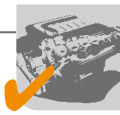
Powertrain Systems Safety & Security Systems Convenience Driver Information Body & Chassis Systems Page

2 PCB Terminals and Holders						
2.2 2.8 mm Contacts						
2.8 mm Cross Contact for Stamped Circuit 0.8	●	●	●	X	●	50
Minifuse Contact - Plated	●	●	●	X	●	51
PCB 2.8 Terminal - SN	●	●	●	X	●	52
Tab 2.8 x 0.6 mm	●	●	●	X	●	53
Tab 2.8 x 0.8 mm	●	●	●	X	●	54
Tab 2.8 x 0.8 mm - Plated	●	●	●	X	●	55
AMP MCP Tab 2.8 x 0.8 mm - Plain	●	●	●	X	●	56
2.3 6.3 mm Contacts						
6.3 Cross Contact for Stamped Circuit 0.63	●	●	●	X	●	57
6.3 Cross Contact for Stamped Circuit 0.8	●	●	●	X	●	58
PCB 6.3 Terminal SN	●	●	●	X	●	59
2.4 9.5 mm Contacts						
9.5 Cross Contact for Stamped Circuit	●	●	●	X	●	60
9.5 Cross Contact for Stamped Circuit 0.8	●	●	●	X	●	61
9.5 Cross Contact for Stamped Circuit	●	●	●	X	●	62
2.5 Fuse Holders						
Module Miniature Fuse	●	●	●	X	●	63
Module Medium Fuse	●	●	●	X	●	64
3 MFINITY Terminals						
Introduction						65
3.1 MFINITY 2.8 mm Terminals						
AMP MCP 2.8 Busbar	●	●	●	X	●	66
AMP MCP 2.8 Shortened Busbar	●	●	●	X	●	67
AMP MCP 2.8 Contact - Lanceless	●	●	●	X	●	68 - 70
3.2 MFINITY 3.35 mm Terminals						
Fuse Contact Busbar	●	●	●	X	●	71
Fuse Contact	●	●	●	X	●	72 - 74

Automotive Power Distribution		Powertrain Systems	Safety & Security Systems	Convenience	Driver Information	Body & Chassis Systems	Page
3 MFINITY Terminals							
3.3 MFINITY 6.3 mm Terminals							
	Tab 6.3 x 0.8 Body Busbar	●	●	●	X	●	75
	Tab Contact 6.3 mm	●	●	●	X	●	76 - 77
3.4 MFINITY 9.5 mm Terminals							
	AMP MCP 9.5 Contact - Lanceless	●	●	●	X	●	78
3.5 MFINITY Accessories							
	Bolt M5 with Square Head	●	●	●	X	●	79
4 24 V Plug-in Relays							
	Introduction						81
	Micro ISO, Micro Relay A (24 V)						82
	Mini ISO, Power Relay B (24 V)						82
	Maxi ISO Power Relay F7 (24 V)						82
5 Application Tooling Equipment							
	Introduction						83
	C300 Connector Seating Machine						84
	Numerical Index						86
	TE Connectivity online						88
	Global Contacts						89
	Imprint						89



POWERTRAIN SYSTEMS



SAFETY & SECURITY SYSTEMS



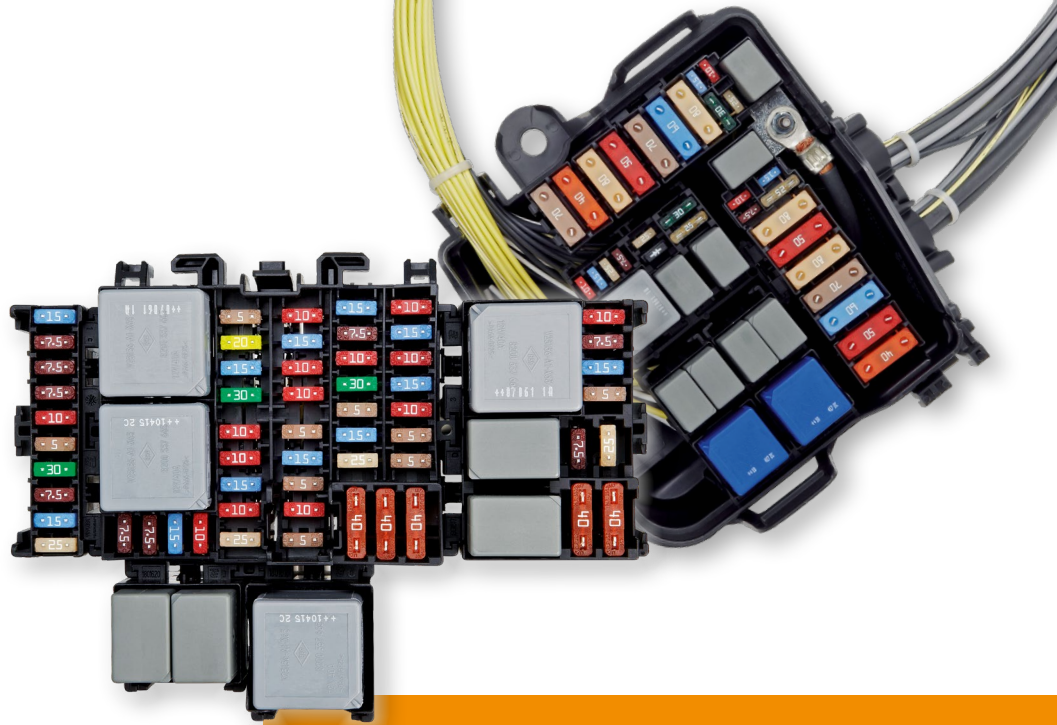
CONVENIENCE



DRIVER INFORMATION



BODY & CHASSIS SYSTEMS



Automotive Power Distribution

INTRODUCTION

TE Connectivity (TE) has developed a wide panel of switching and protection holder devices suitable for different terminal families, linked to our terminal and connector competency.

TE can propose stand-alone module or modular architecture philosophies which allow us to offer a solution for each customer need.

In addition, TE Connectivity can support you for specific requirements. Thanks to our engineering competency and expertise, TE can offer you cost effective solutions for each of your requirements.

Products

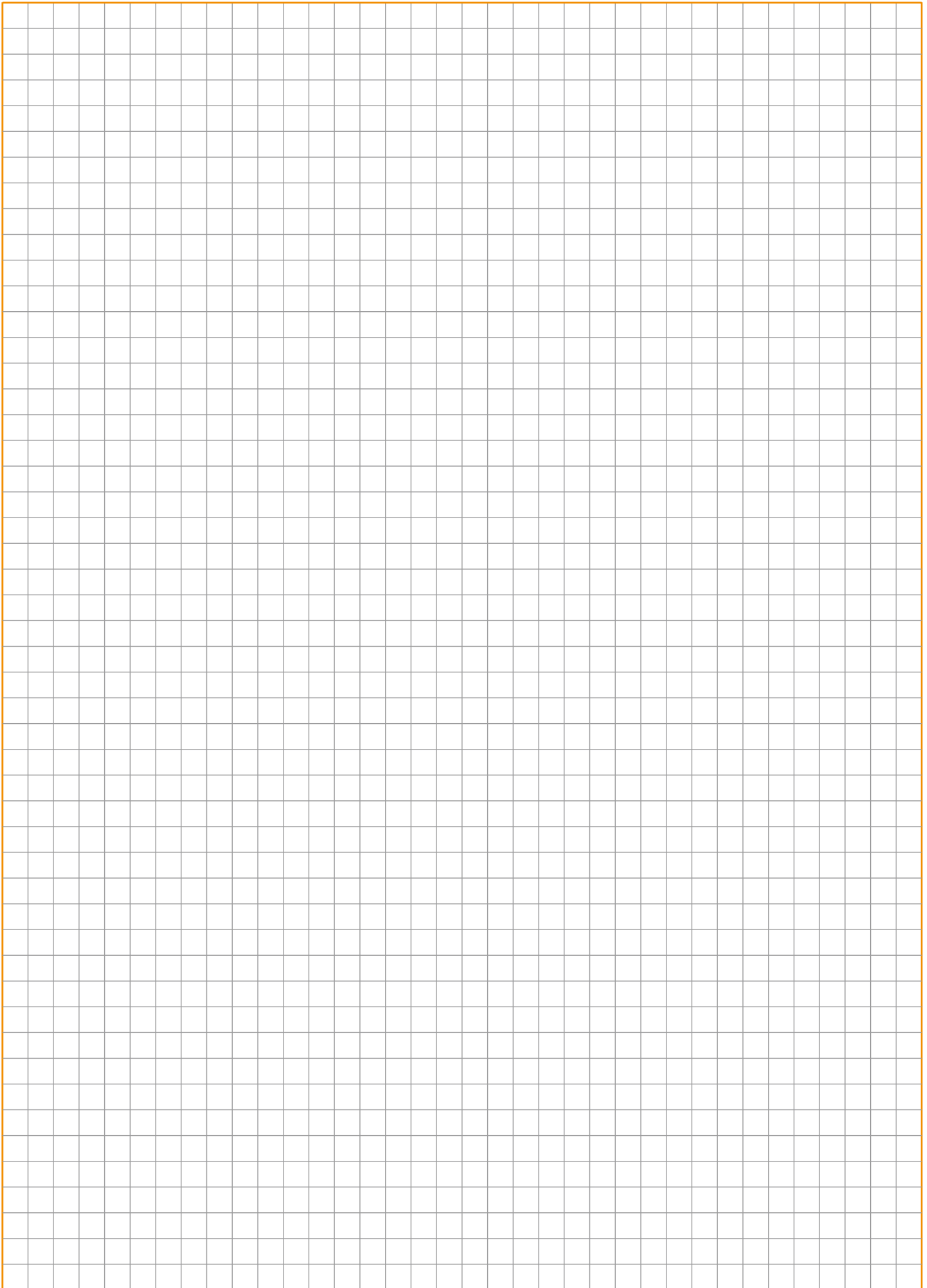
- Fuse Holders
- Relay Holders
- Holder Guides
- Fuse and Relay Boxes
- Modular Concept - MFINITY Fuse and Relay Box
- Printed Circuit Board (PCB) Terminals and Holders

Applications

- Convenience Harness
- Engine Harness
- Battery Departure Unit
- Fuse and Relay Box

Product Features

- Product dedicated to most types of fuse applications available in the market
- Product dedicated to plug-in relay: Micro, Iso, Power
- Direct wire fuse and relay solutions
- Protection and switching devices
- Stand-alone solution or coupling solution



POWERTRAIN SYSTEMS



SAFETY & SECURITY SYSTEMS



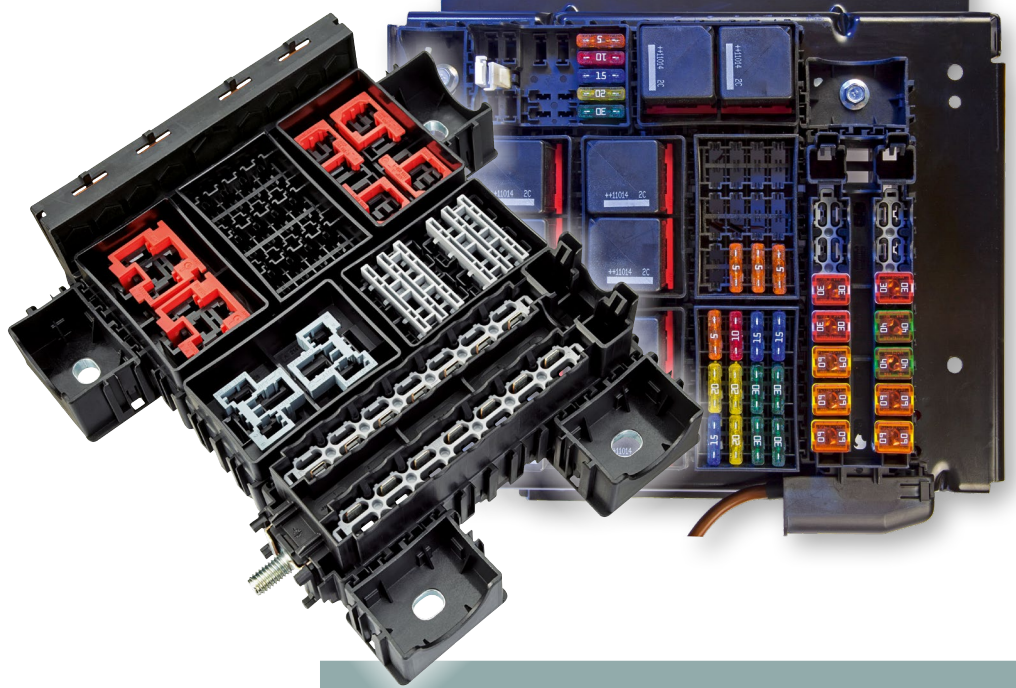
CONVENIENCE



DRIVER INFORMATION



BODY & CHASSIS SYSTEMS



Hardwired Power Distribution Boxes

MFINITY Fuse and Relay Box

TE Connectivity (TE) has developed a complete modular hard wired box family called MFINITY.

The MFINITY Fuse and Relay Box offers limitless combinations with various modules, easily assembled into a complete power distribution panel, without any tooling cost.

All modules and accessories shown in this catalogue are standard products. Upon request, TE will design and manufacture custom modules, wire dress, frame or cover to meet specific customer requirements. With its proven technology, the MFINITY Fuse and Relay Box offers flexible, off the shelf products targeting low volume customers to create their own configurations.

Products

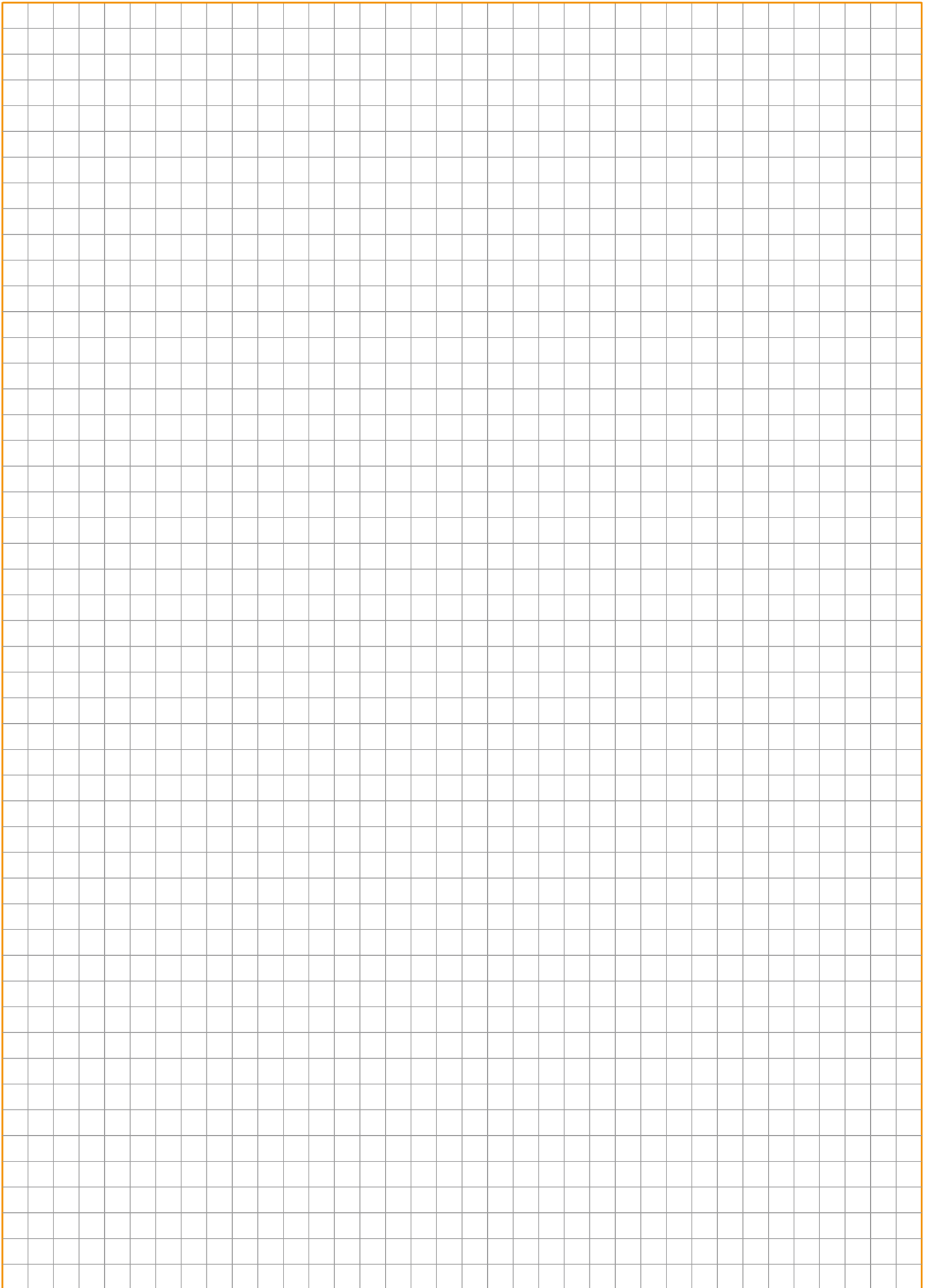
- Fuse Holders
- Relay Holders
- Holder Guides
- Fuse and Relay Boxes
- Modular Concept - MFINITY

Applications

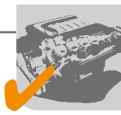
- Body Harness
- Engine Harness

Product Features

- Direct wire fuse and relay solutions
- Pre-fuse modules
- ISO standard
- Modular design
- Temperature class -40° C to +85° C



POWERTRAIN SYSTEMS



SAFETY & SECURITY SYSTEMS



CONVENIENCE



DRIVER INFORMATION



BODY & CHASSIS SYSTEMS



Battery Distribution Unit

INTRODUCTION

TE Connectivity (TE) has developed pre-fuse modules which protect main wires in the harness and allow battery life time increase.

Our modules are compliant with most of automotive OEM requirements and offer a high reliability level.

Fuse and Relay Holder 3 / 5 / 7 – High Current Fuses

Applications

- Convenience Harness
- Engine Harness

Technical Features

- Busbar technology supplying up to 7 high current fuses
- Compliant with MAXI, MINI and ATO fuse technology

Contact used:

Timer and NG family

Housing Material:

PBT GF 10

Can contain up to:

- 3 to 7 high current fuses
- 1 Micro relay
- 1 Medium fuse
- 3 Miniature fuses

Temperature Class:

-40°C to +100°C

Vibration Class:

3G

Sealed / Unsealed:

Unsealed

Product Specification:

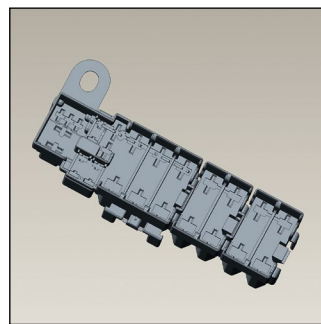
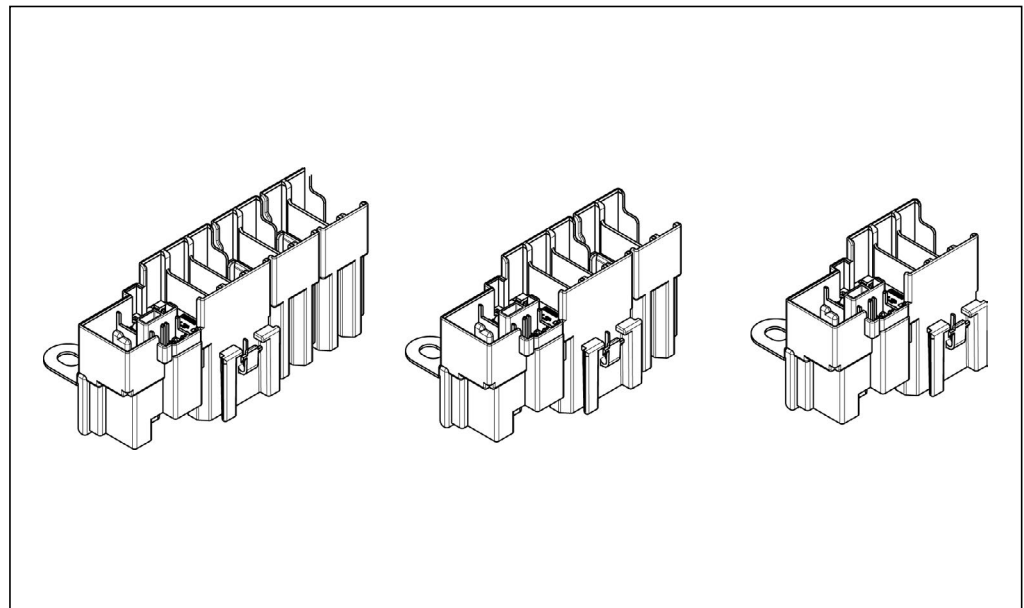
108-15407

Application Specification:

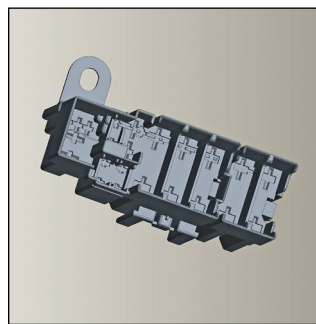
408-15006

Can be used as stand-alone module or in association with:

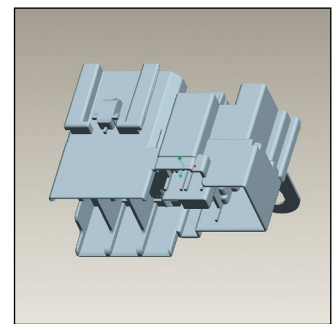
PN 1801627-2



PN 1801628-6
Represented



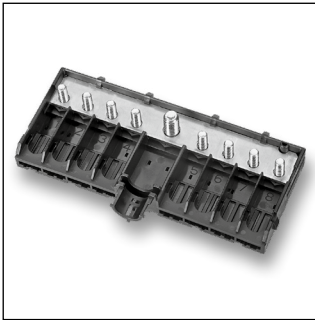
PN 1801628-5
Represented



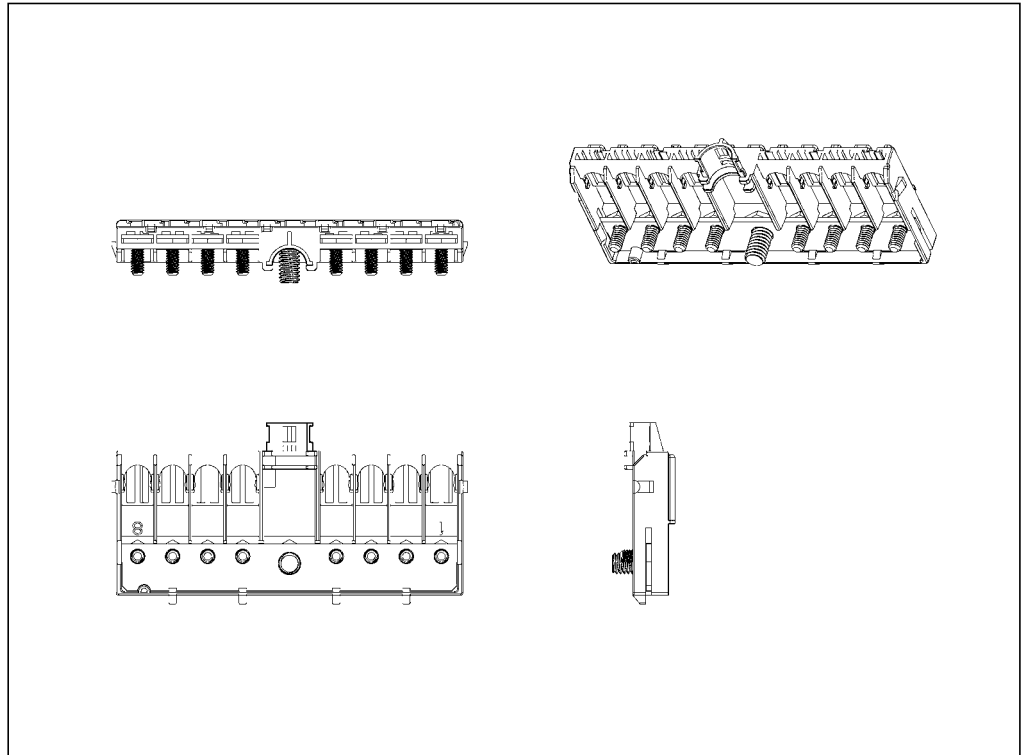
PN 1801628-4
Represented

Fuse and Relay Holder 3 / 5 / 7 – High Current Fuses

Part Number	Housing Color	Material	Receptacles	Mating Contacts	Wire Size Range (mm ²)	OCEAN Applicator
1801628-4 1801628-5 1801628-6	Black	PBT GF 10	JPT Receptacle	964280-2	0.2 – 0.5	2151065
				964284-2	0.5 – 1.0	2151099
				965999-2	1.0 – 2.5	2151062
				1241978-2	2.5 – 4.0	2266277
			SPT Receptacle	927831-2	0.5 – 1.0	2151176
				144617-1	1.0 – 3.0	2151989
				144433-1	3.0 – 5.0	2266635
				1801431-1	3.0 – 5.0	2266645
			NG Receptacle	1801432-1	6.0 – 7.0	2266646
				1801433-1	7.0 – 10	2266647



MFINITY – Pre-Fuse SF30 Module, 8 Positions



Technical Features

Material:

PBT

Product Specification:

108-94263

Application Specification:

114-94090

Order Information

Screw M8 for B+ Connection
with wire up to 35mm²
Part Number 2141034-1

Used with 8 x M5 Bolt
Part Number 1534968-2

**Can be used as stand-alone
module or in association with:**

- PN 2141022-1
- PN 2141024-1
- PN 2141026-1
- PN 2141028-1
- PN 2141029-1
- PN 2141040-x
- PN 2141031-x

MFINITY Pre-Fuse SF30 Module, 8 Positions

Module Part Number	Module Name	Product Dimensions L x W x H (mm)
2141034-1	Pre-fuse SF30 Module	137 x 70 x 24.1

Mating Cover [see page 42](#)
Part Number 2141033-1





Technical Features

Material:

PA6

Product Specification:

108-94263

Application Specification:

114-94090

Order Information

Screw M8 for B+ Connection
with wire up to 35mm²

14x Type A Fuse (J-Case)

Part Number 2141040-1

2x Spare Fuse places

Can be used as stand-alone module or in association with:

PN 2141022-1

PN 2141024-1

PN 2141026-1

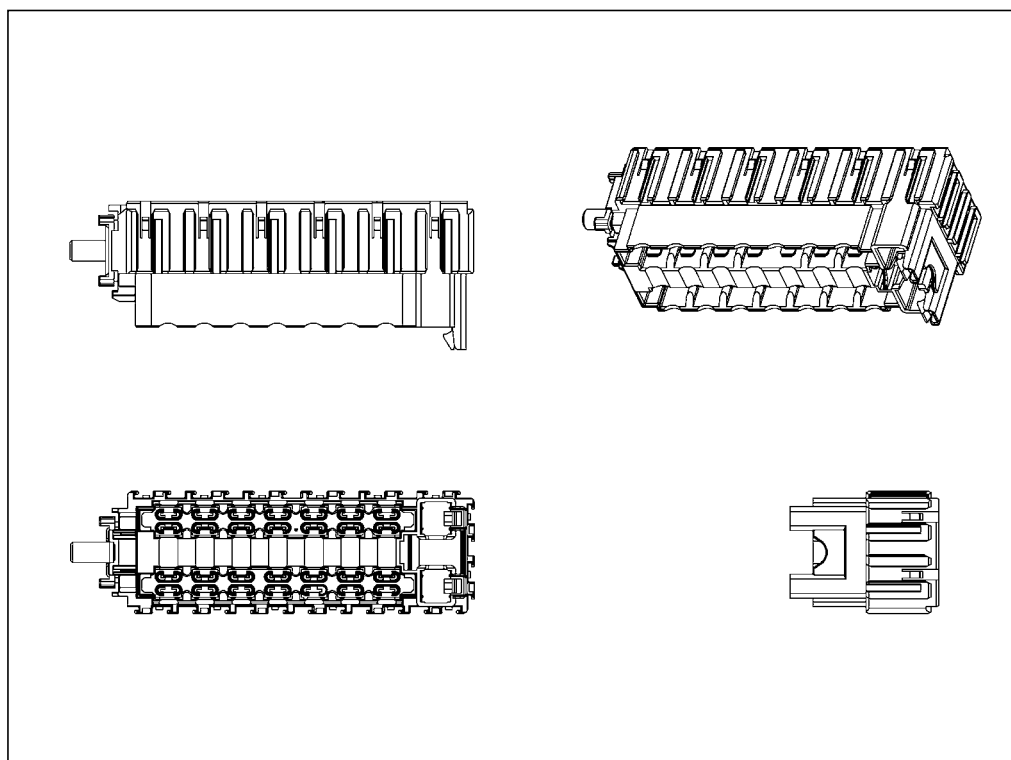
PN 2141028-1

PN 2141029-1

PN 2141034-x

PN 2141031-x

MFINITY – Type A Fuse Module, 14 Positions – Busbar Version



Type A Fuse Module, 14 Positions – Busbar Version

Module Part Number	Module Name	Product Dimensions L x W x H (mm)
2141040-1	Type A Fuse Module (Busbar Version)	155.55 x 47 x 57.3

Suitable Terminals

Part Number	Description	Plating	Wire Size Range (mm ²)
1670225-1	6.3 Busbar & Single Tab	Tin Hot Dipped	4 – 6
963755-1	6.3 Single Tab	Pre-Tinned	2.5 – 4

Mating Cover
Part Number

[see page 43](#)
2141039-1





Technical Features

Material:

PA6

Product Specification:

108-94263

Application Specification:

114-9409

Order Information

B+ Connection via
wire to busbar – Tab

14x Typ A Fuse (J-Case)
Part Number 2141040-2

2x Spare Fuse places

**Can be used as stand-alone
module or in association with:**

PN 2141022-1

PN 2141024-1

PN 2141026-1

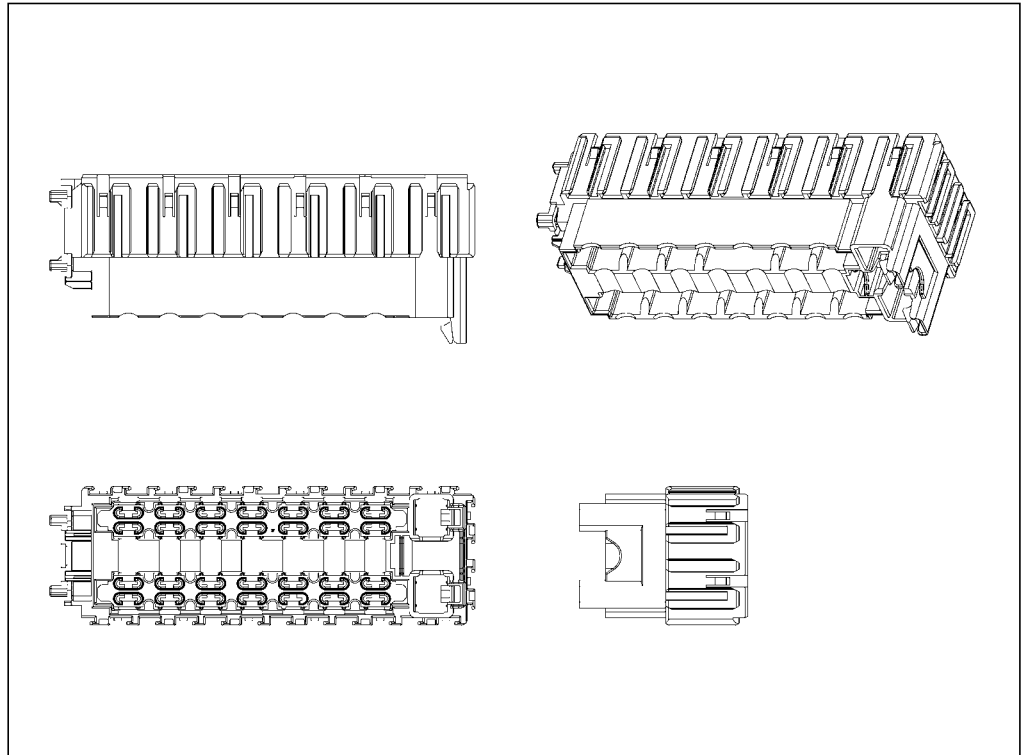
PN 2141028-1

PN 2141029-1

PN 2141034-x

PN 2141031-x

MFINITY – Type A Fuse Module, 14 Positions – Wire-by-wire Version



Type A Fuse Module, 14 Positions – Wire-by-wire Version

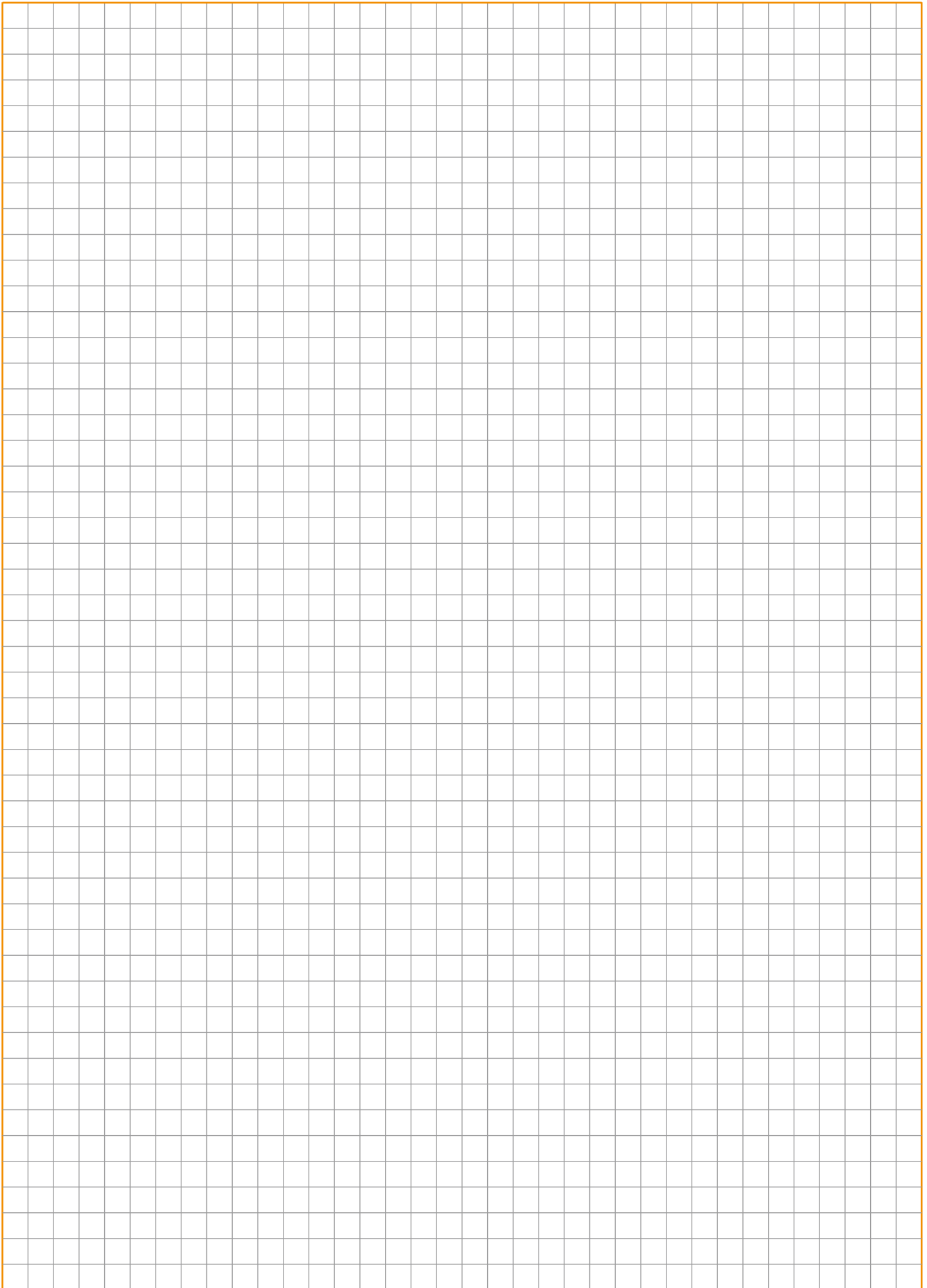
Module Part Number	Module Name	Product Dimensions L x W x H (mm)
2141040-2	Type A Fuse Module	144.55 x 47 x 57.3

Suitable Terminals

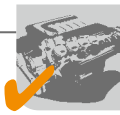
Part Number	Description	Plating	Wire Size Range (mm ²)
1670225-1	6.3 Busbar & Single Tab	Tin Hot Dipped	4 – 6
963755-1	6.3 Single Tab	Pre-Tinned	2.5 – 4

Mating Cover [see page 43](#)
Part Number 2141039-1





POWERTRAIN SYSTEMS



SAFETY & SECURITY SYSTEMS



CONVENIENCE



DRIVER INFORMATION



BODY & CHASSIS SYSTEMS



Module Components: Fuse and Relay Holder

INTRODUCTION

TE Connectivity proposes module components holder for basic protection or switching devices. It can combine different protection technologies or different plug-in relay types.

They can be a stand-alone module or mechanically/ electrically assembled with other devices in order to create a complete power distribution device.

10 Miniature Fuses Holder

Applications

- Convenience harness
- Engine harness

Technical Features

- Compliant with MINI fuse technology

Contact used:

Timer family

Housing Material:

PP GFM 25/15

Can contain up to:

10 Miniature fuses

Temperature Class:

-40°C to +100°C

Vibration Class:

3G

Sealed / Unsealed:

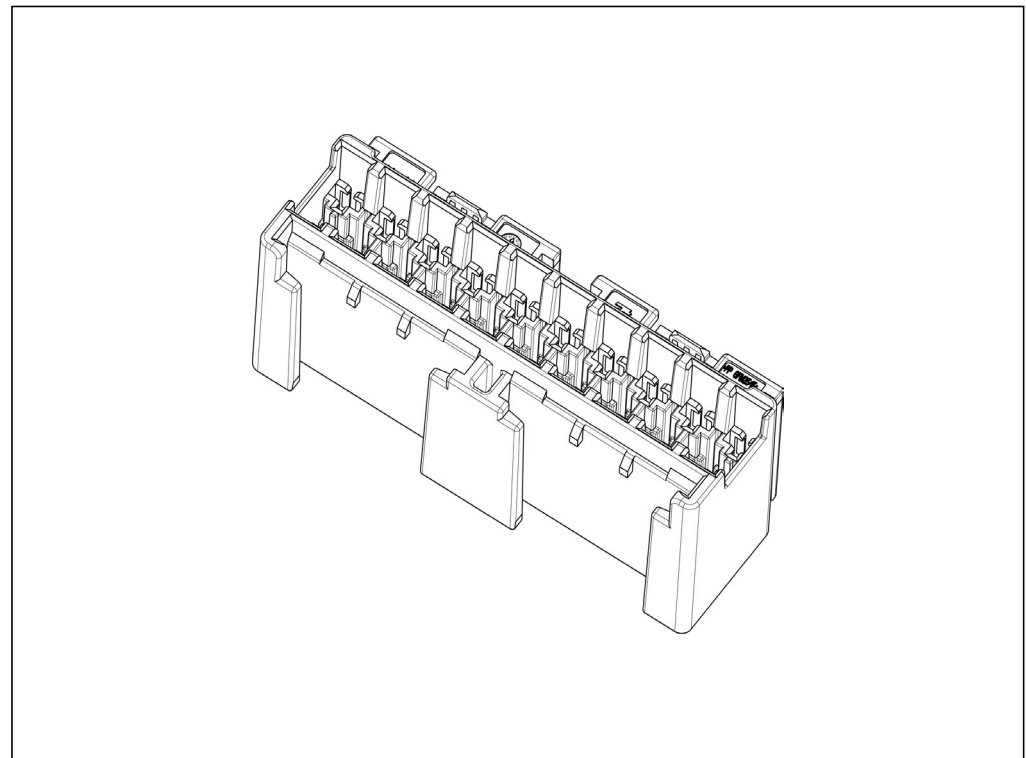
Unsealed

Product Specification:

108-15406

Application Specification:

408-15008



Can be used as stand-alone module or in association with:

- PN 1801617
- PN 1801618
- PN 1801619
- PN 1801620
- PN 1801764
- PN 1801627
- PN 1801773

10 Miniature Fuses Holder

Part Number	Housing Color	Material	Mating Contacts	Wire Size Range (mm ²)
			JPT Receptacle	
1801616-1	Black	PP GFM 25/15	964280-2	0.2 – 0.5
			964284-2	0.5 – 1.0
			965999-2	1.0 – 2.5
			1241978-2	2.5 – 4.0



MFINITY – Miniature Fuse Module, 16 Positions

Technical Features

Material:

PBT

Product Specification:

108-94263

Application Specification:

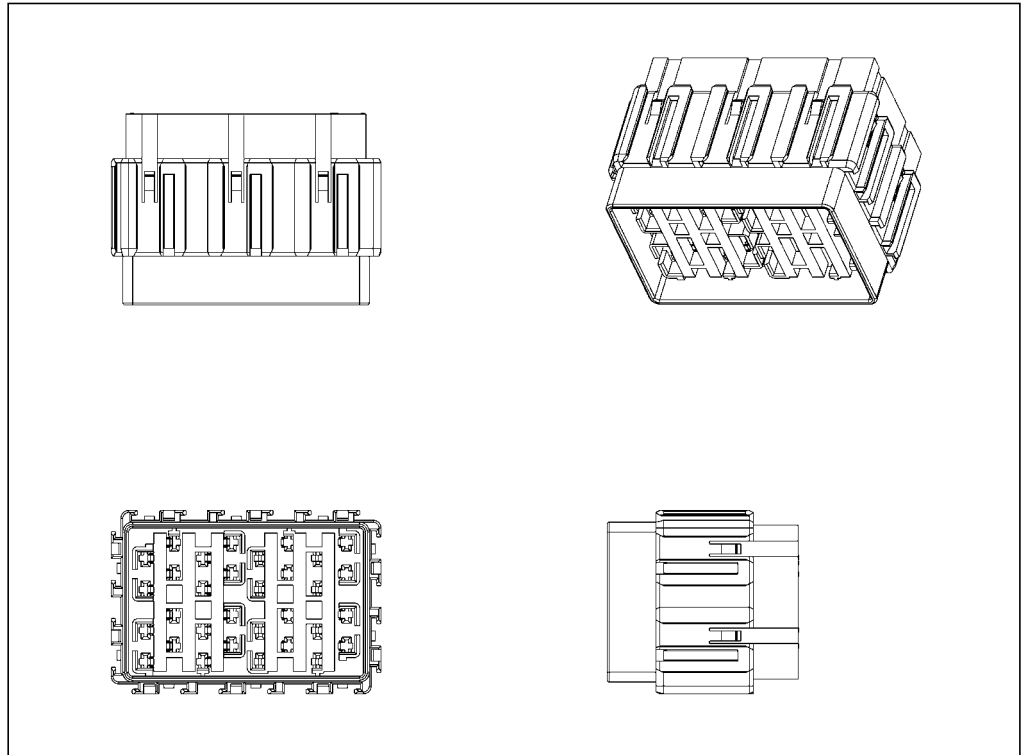
114-94090

Order Information

16x Miniature (Mini) Fuse
Part Number 2141029-1

Can be used as stand-alone module or in association with:

- PN 2141022-1
- PN 2141024-1
- PN 2141026-1
- PN 2141028-1
- PN 2141034-1
- PN 2141031-x
- PN 2141040-x



Miniature Fuse Module, 16 Positions

Module Part Number	Module Name	Product Dimensions L x W x H (mm)
2141029-1	Miniature Fuse Module	69.3 x 47 x 43

Suitable Terminals

Part Number	Description	Material	Plating	Wire Size Range (mm ²)
1-1355844-1	Fuse Contact Busbar			4 – 6
1-1355877-1				1 – 2.5
1-1355833-1	Fuse Contact Single	CuNiSi	Pre-Tinned	0.5 – 1.0
1-1355880-1				2.5 – 4

Fuse Holder for Miniature Fuse (8 Miniature Fuses)

Applications

- Convenience harness
- Engine harness

Technical Features

- Compliant with MINI fuse technology

Contact used:
AMP MCP family,

Housing Material:
PA 66

Can contain up to:
8 Miniature fuses

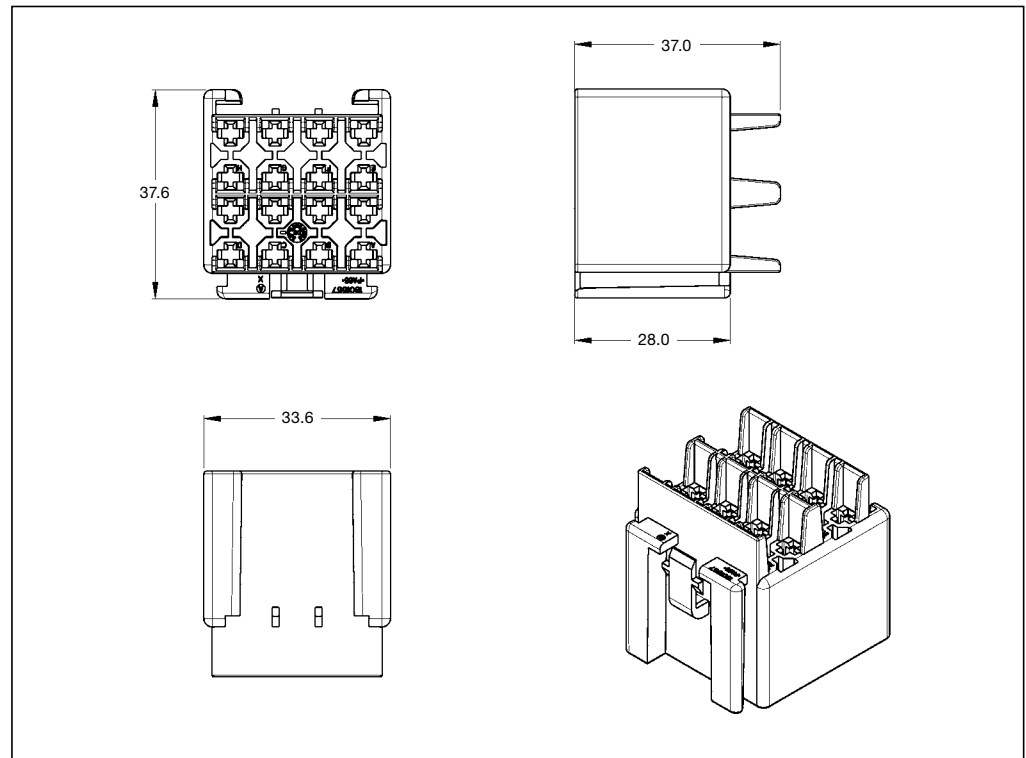
Temperature Class:
-40° C to +85° C

Vibration Class:
3G

Sealed / Unsealed:
Unsealed

Product Specification:
108-15399

Application Specification:
411-15744



Fuse Holder for Miniature Fuse (8 Miniature Fuses)

Part Number	Housing Color	Material	Package Quantity	Mating Contacts	Wire Size Range (mm ²)				
				AMP MCP 2.8 Terminals					
1801567-1	Natural	PA66	550	1-968880-1	0.2 – 0.5				
				1-968880-3					
				1-968849-1	0.5 – 1.0				
				1-968849-2					
				1-968849-3					
				1-968851-1	1.5 – 2.5				
				1-968851-2					
				1-968851-3					
				1-968853-1	2.5 – 4.0				
				1-968853-3					
								See Table Drawing 1355036	

High Current Fuses Holder - 2 Positions

Applications

- Convenience harness
- Engine harness

Technical Features

- Compliant with MAXI fuse technology

Contact used:

NG family

Housing Material:

PBT GF10

Can contain up to:

2 Medium fuses

Temperature Class:

-40°C to +100°C

Vibration Class:

3G

Sealed / Unsealed:

Unsealed

Product Specification:

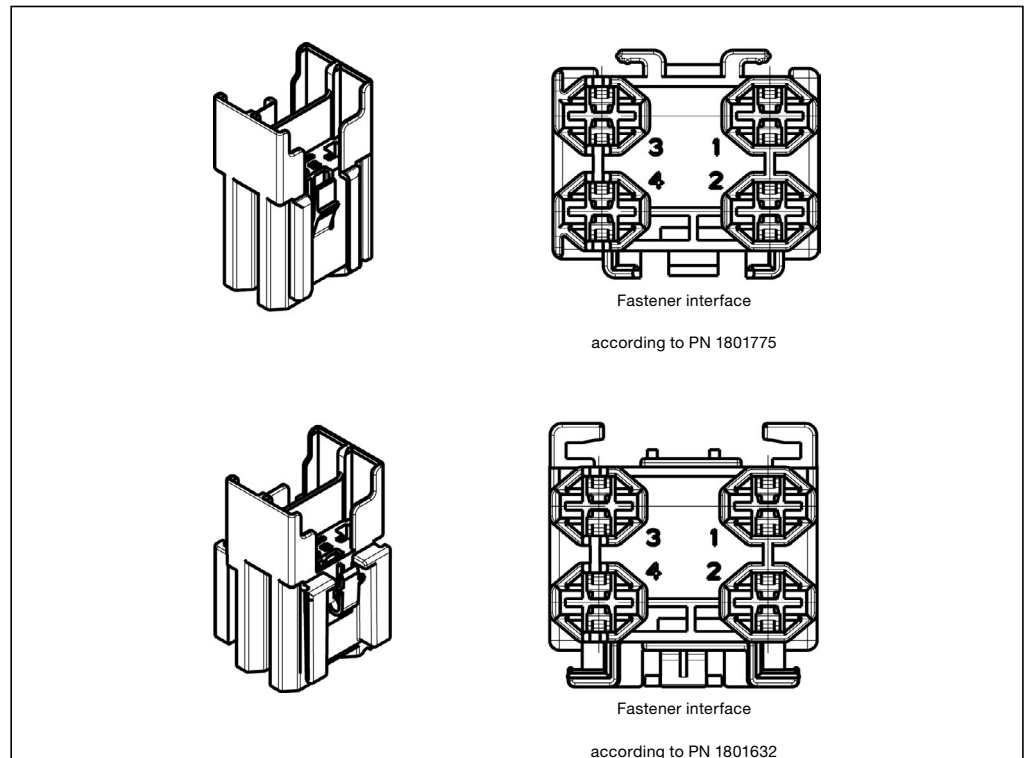
108-15411

Application Specification:

408-15011

Can be used as stand-alone module or in association with:

- PN 1801616
- PN 1801617
- PN 1801618
- PN 1801619
- PN 1801620
- PN 1801628
- PN 1801764
- PN 1801773



High Current Fuses Holder – 2 Positions

Part Number	Housing Color	Material	Mating Contacts	Wire Size Range (mm ²)
			NG Receptacle	
1801627-2	Black	PBT GF10	1801431-1	3 – 5
			1801432-1	6 – 7
1801627-3			1801433-1	7 – 10

High Current Fuses Holder - 2 Positions

Applications

- Convenience harness

Technical Features

- Compliant with MAXI fuse technology

Contact used:
MPT family

Housing Material:
PA 66

Can contain up to:
2 high current fuses

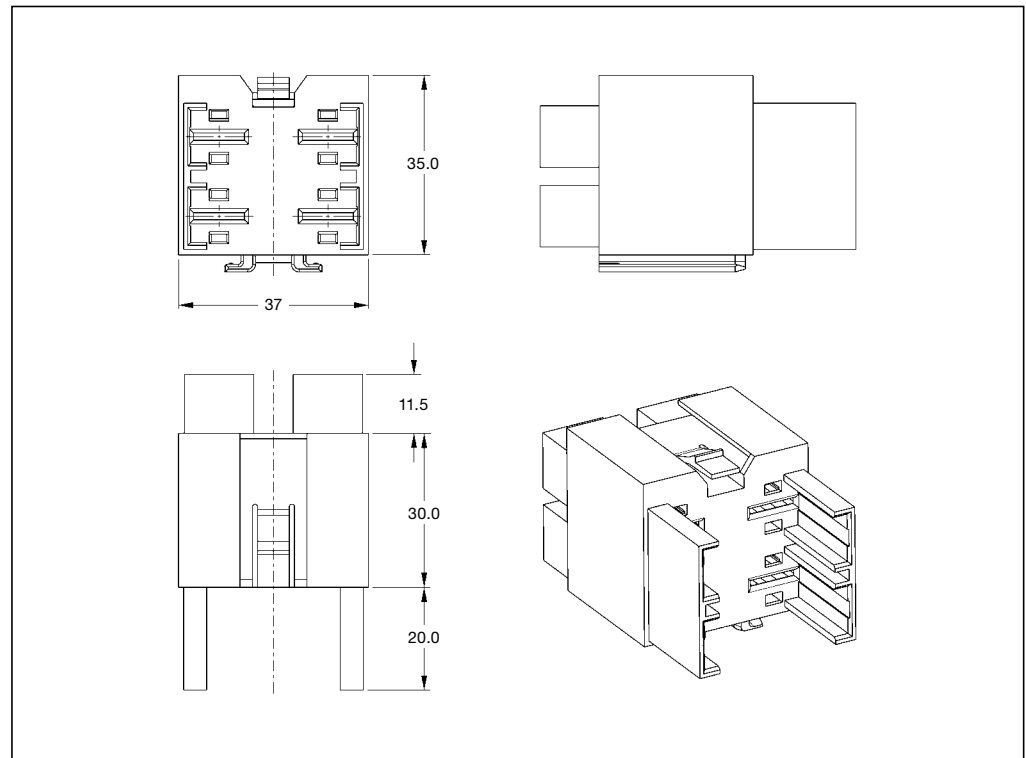
Temperature Class:
-40° C to +85° C

Vibration Class:
3G

Sealed / Unsealed:
Unsealed

Product Specification:
108-18047

Application Specification:
114-18075



High Current Fuses Holder – 2 Positions

Part Number	Housing Color	Material	Package Quantity	Mating Contacts	Wire Size Range (mm ²)
				MPT Receptacles	
964595-1	Orange	PA66-GF13	300	962928-1	> 2.5 – 4.0
				962930-1	4.0 – 6.0
				962932-1	6.0 – 10



Technical Features

Material:

PBT

Product Specification

108-94263

Application Specification

114-94090

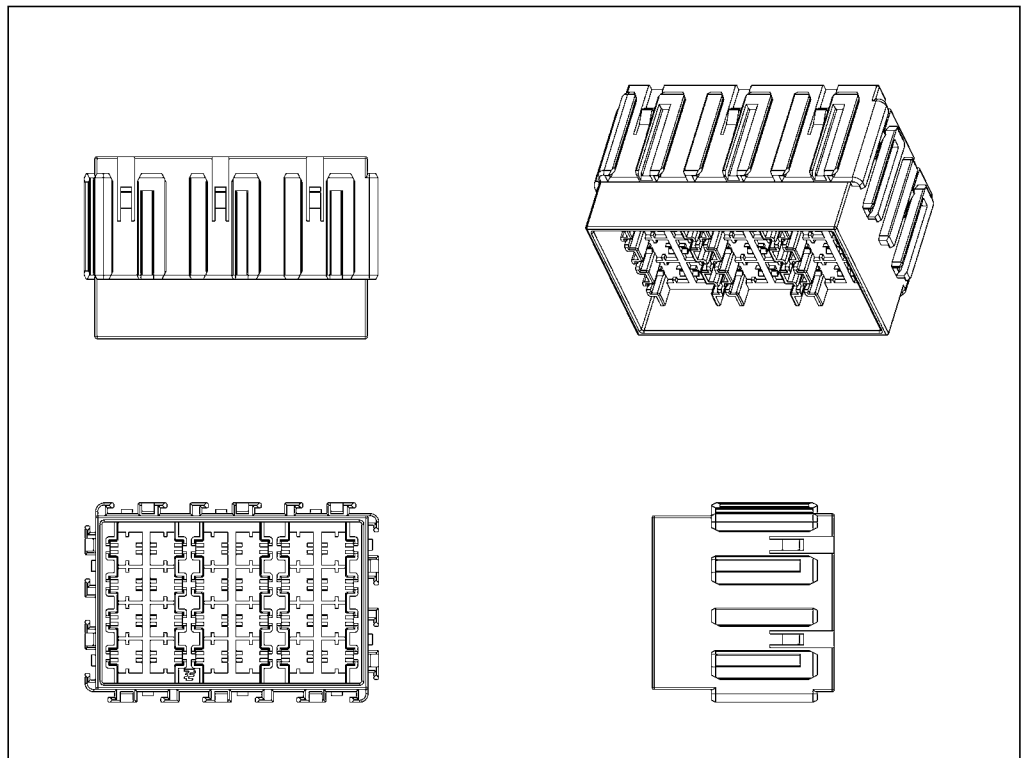
Order Information

12x (ATO) Medium Fuse
Part Number 2141028-1

Can be used as stand-alone module or in association with:

- PN 2141022-1
- PN 2141024-1
- PN 2141026-1
- PN 2141029-1
- PN 2141034-1
- PN 2141031-x
- PN 2141040-x

MFINITY – Medium Fuse Module – 12 Positions



Medium Fuse Module – 12 Positions

Module Part Number	Module Name	Product Dimensions L x W x H (mm)
2141028-1	Medium Fuse Module	69.3 x 47 x 43

Suitable Terminals

Part Number	Description	Material	Plating	Wire Size Range (mm ²)
881572-3	Fuse Contact Busbar	Brass	Pre-Tinned	4 – 6
880397-2			Pre-Tinned	0.5 – 1.5
880398-1	Fuse Contact Single		–	>1 – 2.5
880398-2			Pre-Tinned	>1 – 2.5

Medium Fuse Holder – 4 Positions

Applications

- Body harness

Technical Features

- Detection of partially inserted receptacle

Temperature Class:

-40° C to +85° C

Vibration Class:

3G

Sealed / Unsealed:

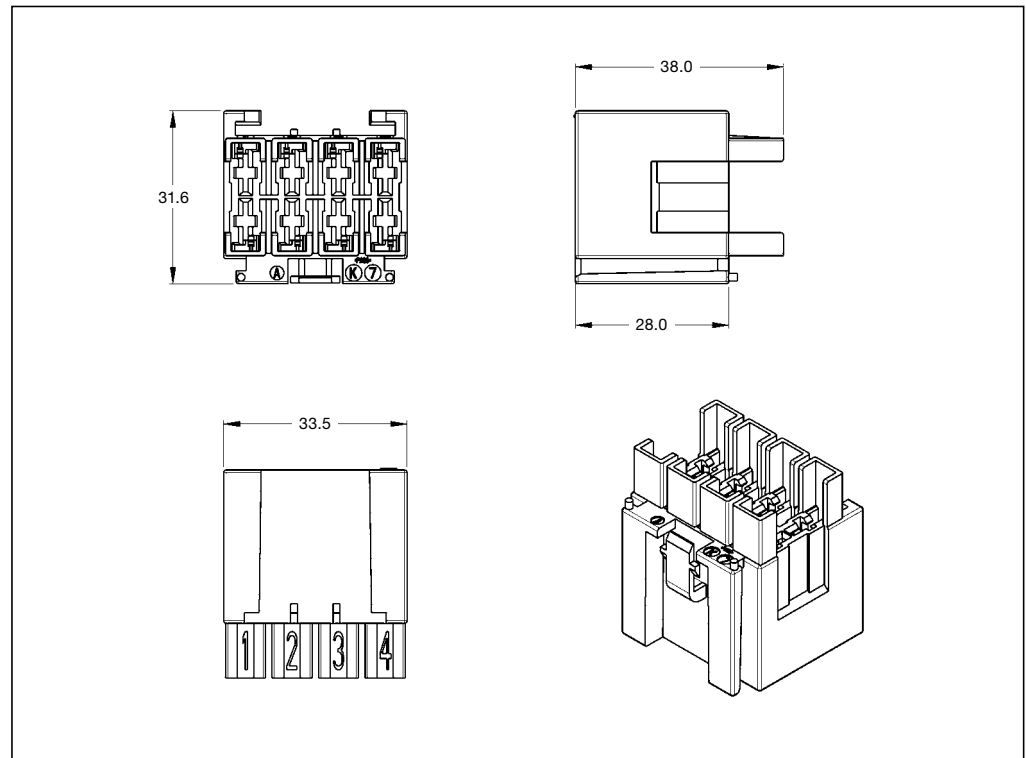
Unsealed

Product Specification:

108-15160

Application Specification:

411-15587

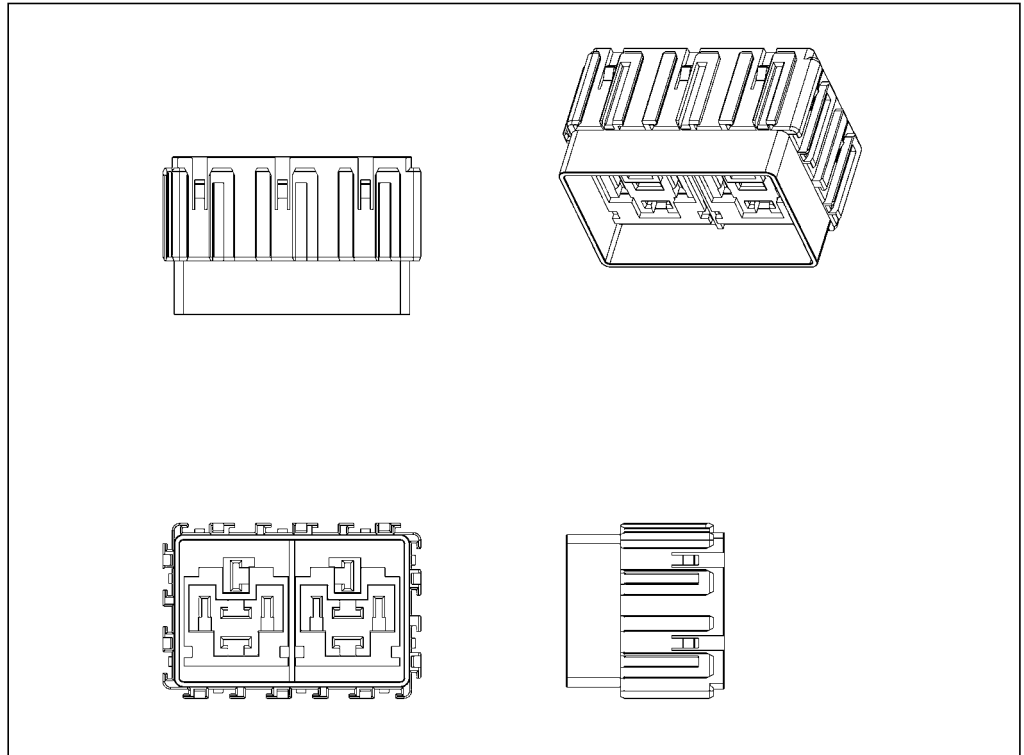


Medium Fuse Holder – 4 Positions

Part Number	Housing Color	Material	Package Quantity	Mating Contacts	Wire Size Range (mm ²)
				SPT Receptacles	
185847-1	Natural	PA66	550	927831-2	0.5 – 1.0
				144617-1	1.0 – 3.0
				144433-1	3.0 – 5.0
185847-2				144434-1	5.0 – 7.0



MFINITY – Mini Relay Module – 2 Positions



Technical Features

Material:

PBT

Product Specification:

108-94263

Application Specification:

114-94090

Order Information

2x ISO Mini Relays

Part Number 2141024-1

Can be used as stand-alone module or in association with:

PN 2141022-1

PN 2141026-1

PN 2141028-1

PN 2141029-1

PN 2141034-1

PN 2141031-x

PN 2141040-x

You can find suitable relays on page 47 of this catalog.

Mini Relay Module – 2 Positions

Module Part Number	Module Name	Product Dimensions L x W x H (mm)
2141024-1	Mini Relay Module	69.3 x 47 x 42.5

Suitable Terminals

Part Number	Description	Plating	Wire Size Range (mm ²)
2208343-1	LEAR – 6.3mm 361330-YF200	Pre-Tinned	0.5 – 1.5
2208343-3	LEAR – 6.3mm 361030-YF200		3 – 5

Relays Holder Gen1 (1 Mini Relay 35-40 A)

Applications

- Convenience harness

Technical Features

- Detection of partially inserted receptacle

Contact used:
Timer family

Housing Material:
PA 66

Can contain up to:
1 Mini relay

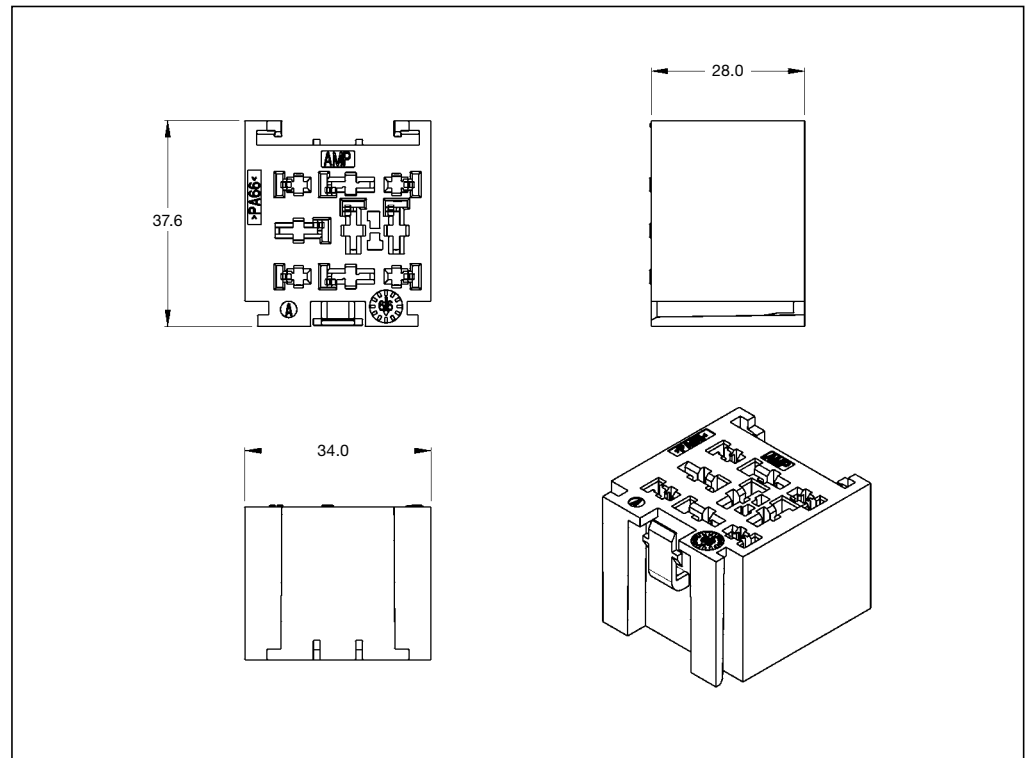
Temperature Class:
-40° C to +85° C

Vibration Class:
3G

Sealed / Unsealed:
Unsealed

Product Specification:
108-15131

Application Specification:
411-15551



Relays Holder Gen1 (1 Mini Relay 35-40A)

Part Number	Housing Color	Material	Package Quantity	Mating Contacts	Wire Size Range (mm ²)
185403-1	Natural	P66	550	JPT Receptacle	144431-1 0.35 – 1.0
185403-2	Black				144432-1 1.0 – 3.0
185403-3	Gray			SPT Receptacle	927831-2 0.5 – 1.0
185403-4	Brown				144617-1 1.0 – 3.0
					144433-1 3.0 – 5.0
					144434-1 5.0 – 7.0

Modular Relays Holder Gen2 (Relay 35-40 A)

Applications

- Convenience harness
- Engine harness

Technical Features

- Detection of partially inserted receptacle by counterpart

Contact used:

Timer family

Housing Material:

PP-GFM25/15

Temperature Class:

-40° C to +100° C

Vibration Class:

3G

Sealed / Unsealed:

Unsealed

Product Specification:

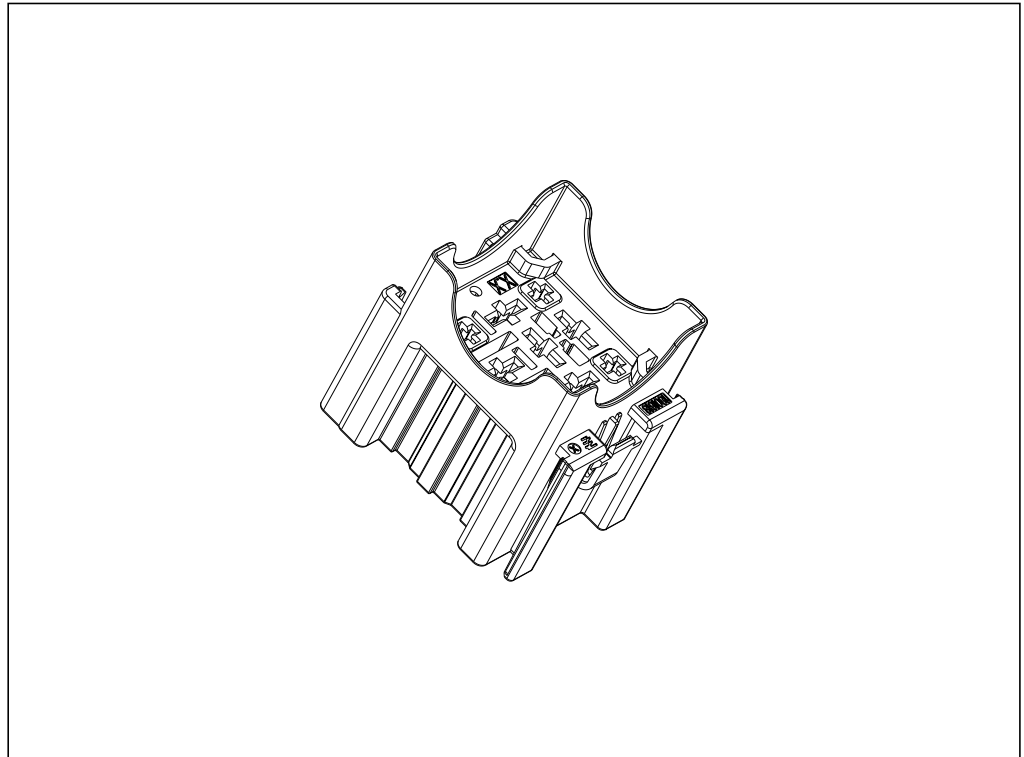
108-15412

Application Specification:

408-15010

Can be used as stand-alone module or in association with:

- PN 1801616
- PN 1801617
- PN 1801619
- PN 1801620
- PN 1801627
- PN 1801764
- PN 1801773



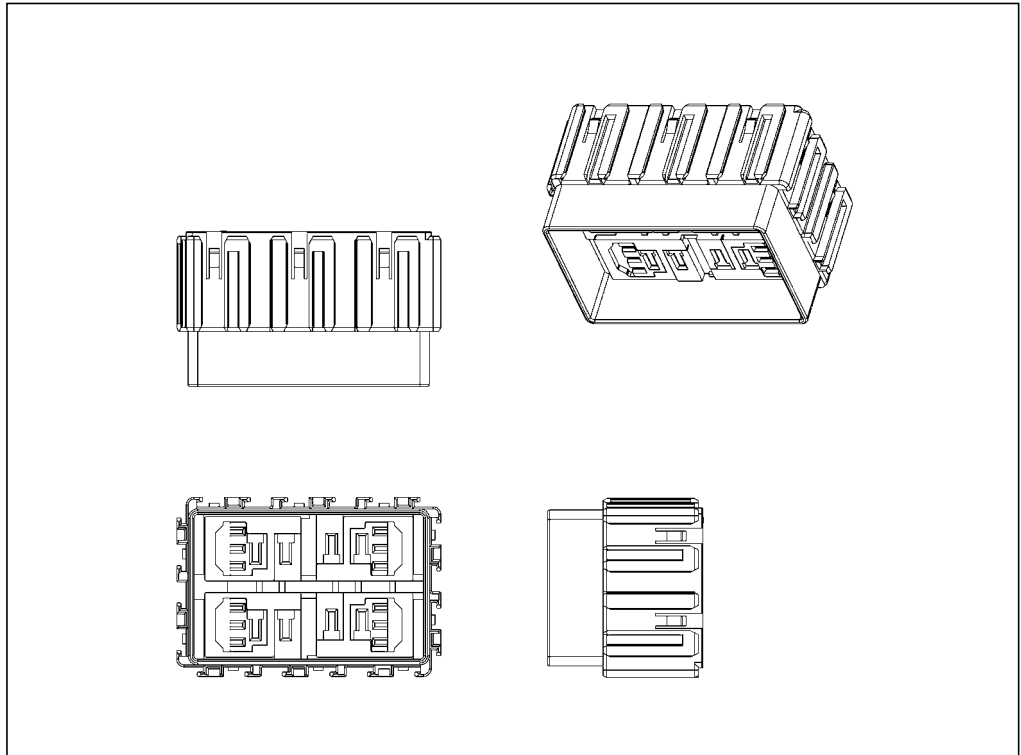
Modular Relays Holder Gen2 (Relay 35-40 A)

Part Number	Housing Color *)	Material	Package Quantity	Mating Contacts	Wire Size Range (mm ²)	
1801618-1	Black	PP-GFM25/15	300	JPT Receptacle	964280-2	0.2 – 0.5
					964284-2	0.5 – 1.0
					965999-2	1.0 – 2.5
				SPT Receptacle	1241978-2	2.5 – 4.0
					927831-2	0.5 – 1.0
					144617-1	1.0 – 3.0
144433-1	3.0 – 5.0					

*) Other colors (Natural) upon request



MFINITY – Micro Relay Module – 4 Positions



Technical Features

Material:
PBT

Product Specification:
108-94263

Application Specification:
114-94090

Order Information

4x ISO Micro Relays
Part Number 2141022-1

Can be used as stand-alone module or in association with:

- PN 2141022-1
- PN 2141026-1
- PN 2141028-1
- PN 2141029-1
- PN 2141034-1
- PN 2141031-x
- PN 2141040-x

You can find suitable relays on page 47 of this catalog.

Micro Relay Module – 4 Positions

Module Part Number	Module Name	Product Dimensions L x W x H (mm)
2141022-1	Micro Relay Module	69.3 x 47 x 40.75

Suitable Terminals

Part Number	Description	Plating	Wire Size Range (mm ²)
2208343-2	LEAR – 6.3mm 361430-YF200	Pre-Tinned	1.5 – 2.0
2208342-2	Molex – 4.8mm 33113-0003	N/A	N/A
2208342-1	Molex – 4.8mm 33113-0005	N/A	N/A

Modular Relays Holder Gen2 (2 Micro Relays)

Applications

- Convenience harness
- Engine harness

Technical Features

- Detection of partially inserted receptacle by counterpart

Contact used:

Timer family

Housing Material:

PP-GFM25/15

Can contain up to:

2 Micro relays

Temperature Class:

-40° C to +100° C

Vibration Class:

3G

Sealed / Unsealed:

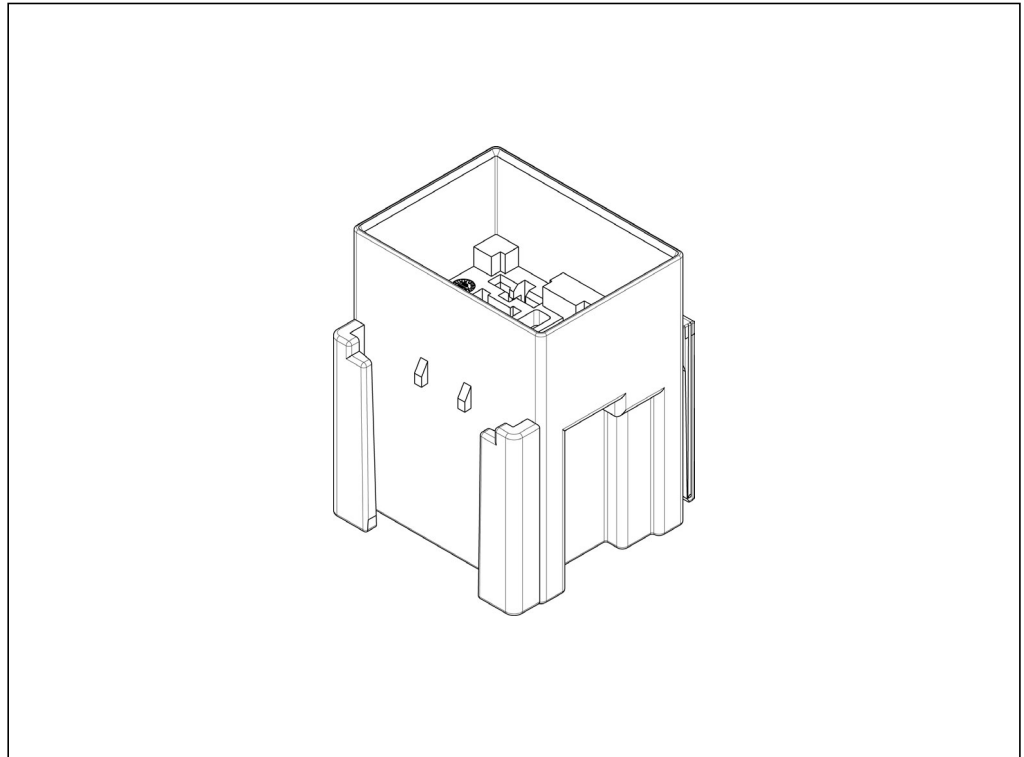
Unsealed

Product Specification:

108-15412

Application Specification:

408-15010



Can be used as stand-alone module or in association with:

- PN 1801616
- PN 1801617
- PN 1801618
- PN 1801619
- PN 1801627
- PN 1801764
- PN 1801773

Modular Relays Holder Gen2 (2 Micro Relays)

Part Number	Housing Color *)	Material	Package Quantity	Mating Contacts	Wire Size Range (mm ²)	
1801620-1	Black	PP-GFM25/15	300	JPT Receptacle	964280-2	0.2 – 0.5
					964284-2	0.5 – 1.0
				SPT Receptacle	927831-2	0.5 – 1.0
					144617-1	1.0 – 3.0
					144433-1	3.0 – 5.0

*) Other colors (natural) upon request

Relays Holder Gen1 (2 Micro Relays)

Applications

- Convenience harness

Technical Features

- Detection of a partially inserted receptacle by counterpart

Contact used:

Timer family

Housing Material:

PA 66

Can contain up to:

2 Micro relays

Temperature Class:

-40° C to +85° C

Vibration Class:

3G

Sealed / Unsealed:

Unsealed

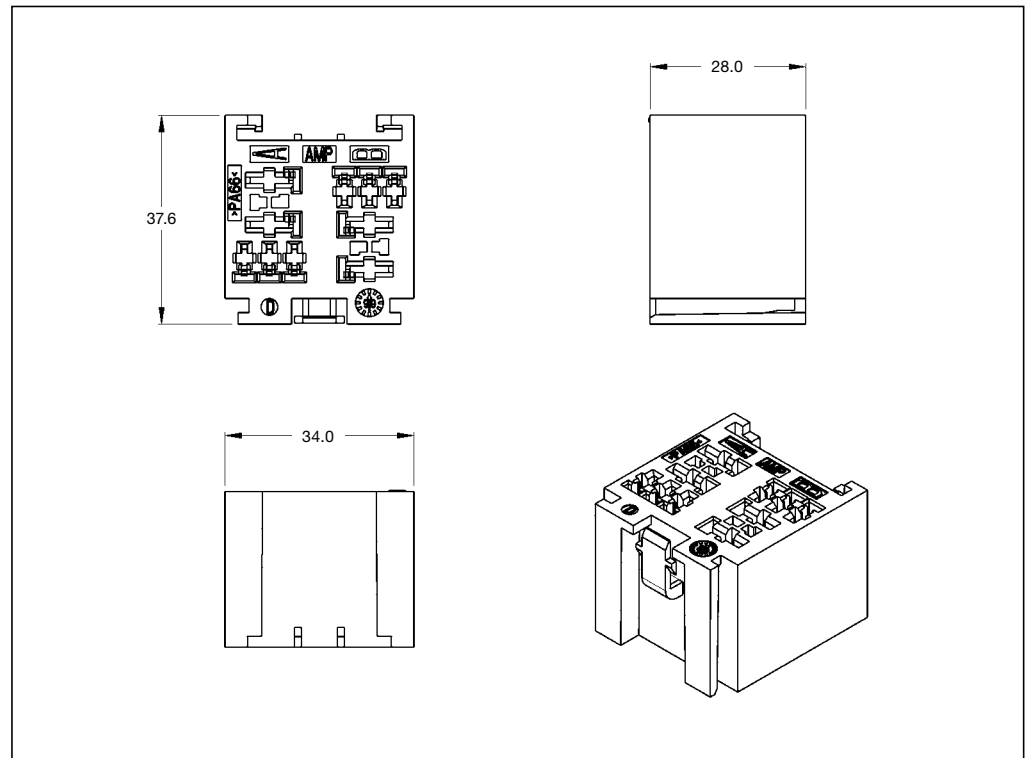
Product Specification:

108-15131

Application Specification:

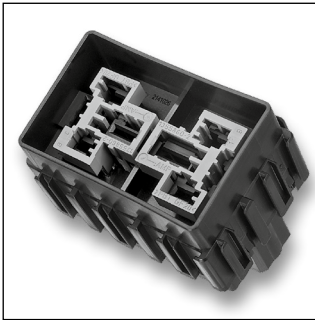
411-15551

411-15591



Relays Holder Gen1 (2 Micro Relays)

Part Number	Housing Color	Material	Package Quantity	Mating Contacts	Wire Size Range (mm ²)	
185402-1	Natural	PA 66	550	JPT Receptacle	144431-1	0.35 – 1.0
					144432-1	1.0 – 3.0
185402-2	Black			SPT Receptacle	927831-2	0.5 – 1.0
					144617-1	1.0 – 3.0
185402-3	Gray			144433-1	3.0 – 5.0	
				144434-1	5.0 – 7.0	



MFINITY – Maxi Relay Module – 2 Positions

Technical Features

Material:

PBT

Product Specification:

108-94263

Application Specification:

114-94090

Order Information

2x ISO Maxi Relays

Part Number 2141026-1

Can be used as stand-alone module or in association with:

PN 2141022-1

PN 2141026-1

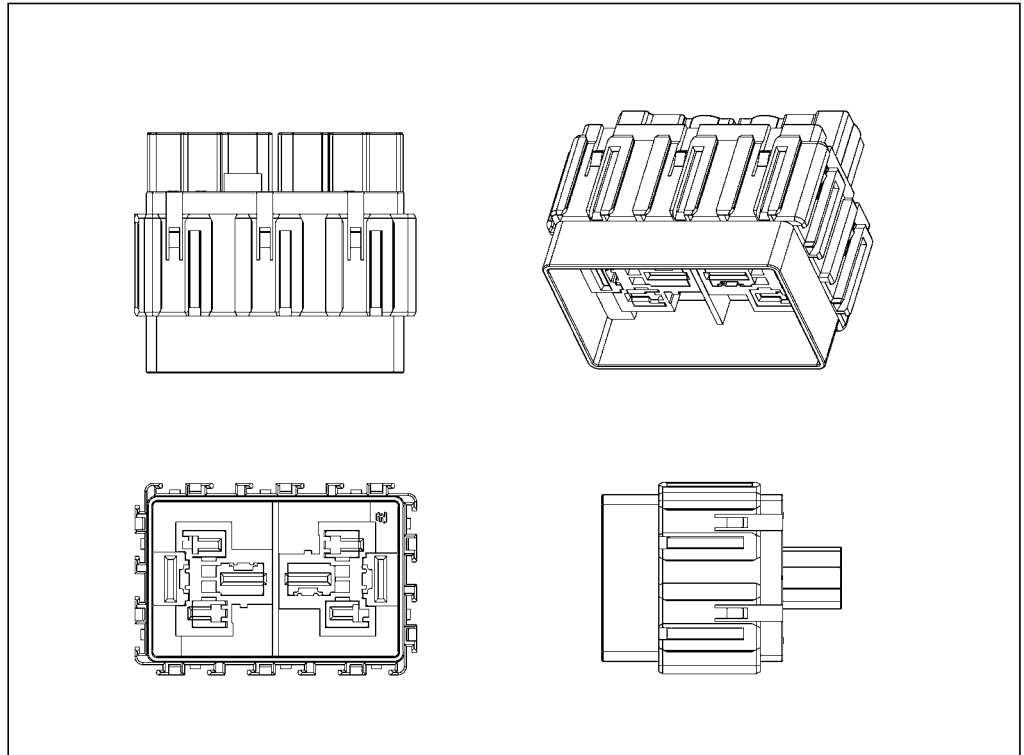
PN 2141028-1

PN 2141029-1

PN 2141034-1

PN 2141031-x

PN 2141040-x



You can find suitable relays on page 47 of this catalog.

Maxi Relay Module – 2 Positions

Module Part Number	Module Name	Product Dimensions L x W x H (mm)
2141026-1	Maxi Relay Module	69.3 x 47 x 59

Suitable Terminals

Part Number	Description		Plating	Wire Size Range (mm ²)
1-1355849-1	9.5 Single Tab	CuNiSi		6 – 10
2208343-1	LEAR – 6.3mm 361330-YF200	N/A	Pre-Tinned	0.5 – 1.5

Modular Relays Holder Gen2 (Relay 50-70A)

Applications

- Convenience harness
- Engine harness

Technical Features

- Detection of a partially inserted receptacle by counterpart

Contact used:

Timer family

Housing Material:

PP GFM25/15

Temperature Class:

-40° C to +100° C

Vibration Class:

3G

Sealed / Unsealed:

Unsealed

Product Specification:

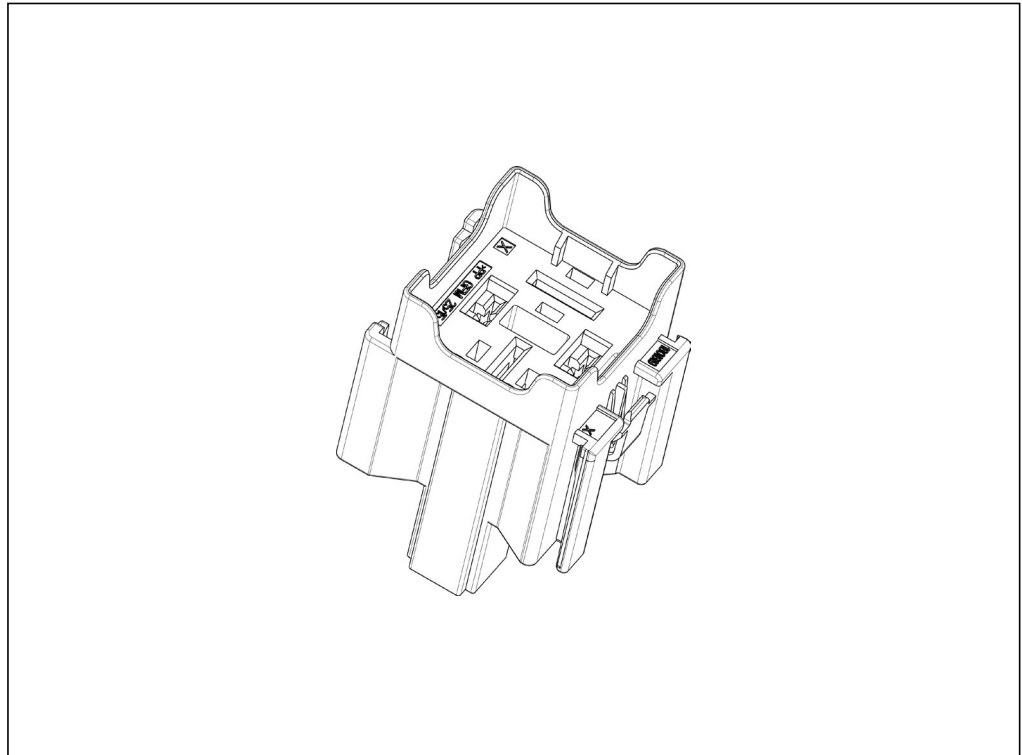
108-15412

Application Specification:

408-15010

Can be used as stand-alone module or in association with:

- PN 1801616
- PN 1801617
- PN 1801618
- PN 1801620
- PN 1801627
- PN 1801773
- PN 1801764



Modular Relays Holder Gen2 (Relay 50-70A)

Part Number	Housing Color *)	Material	Package Quantity	Mating Contacts	Wire Size Range (mm ²)	
1801619-1	Black	PP-GFM25/15	300	MPT Receptacle	962928-1	2.5 – 4.0
					962930-1	4.0 – 6.0
					962932-1	7.0 – 10
				SPT Receptacle	927831-2	0.5 – 1.0
					144617-1	1.0 – 3.0
					144433-1	3.0 – 5.0

*) Other colors (Natural) upon request

Relays Holder Gen1 (1 Maxi Relay 50-60A)

Applications

- Convenience harness

Technical Features

- Detection of a partially inserted receptacle

Contact used:

Timer family

Housing Material:

PBT

Can contain up to:

1 Maxi relay

Temperature Class:

-40° C to +85° C

Vibration Class:

3G

Sealed / Unsealed:

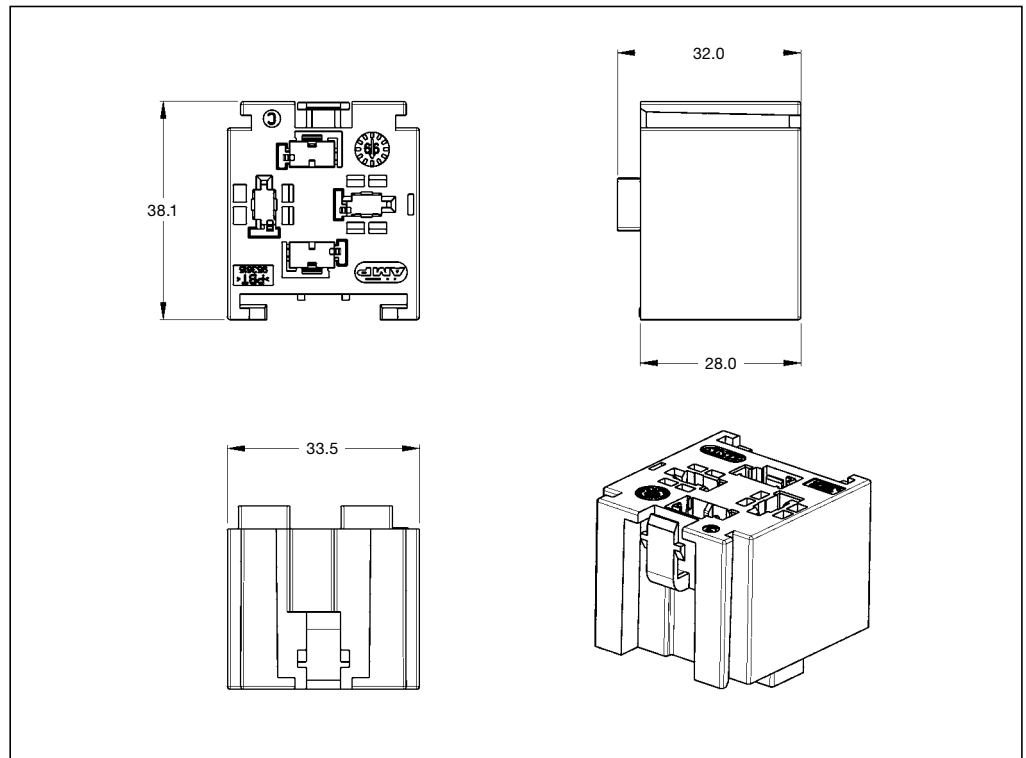
Unsealed

Product Specification:

108-15208

Application Specification:

411-15620



Relays Holder Gen1 (1 Maxi Relay 50-60A)

Part Number	Housing Color	Material	Package Quantity	Mating Contacts	Wire Size Range (mm ²)
953615-1	Red	PBT	500	SPT Receptacle	927831-2 0.5 – 1.0
					144617-1 1.0 – 3.0
					144433-1 3.0 – 5.0
953615-2	Purple	PBT	500	Positive Lock MK1	185283-1 5.0 – 6.0
					160759-3 0.5 – 1.5
					154718-3 0.7 – 2.0
					154717-3 2.5 – 4.0

Relays Holder Gen1 (1 Maxi Relay 70 A)

Applications

- Convenience harness

Technical Features

- Detection of a partially inserted receptacle

Contact used:

Timer family

Housing Material:

PBT

Can contain up to:

1 Maxi relay

Temperature Class:

-40° C to +85° C

Vibration Class:

3G

Sealed / Unsealed:

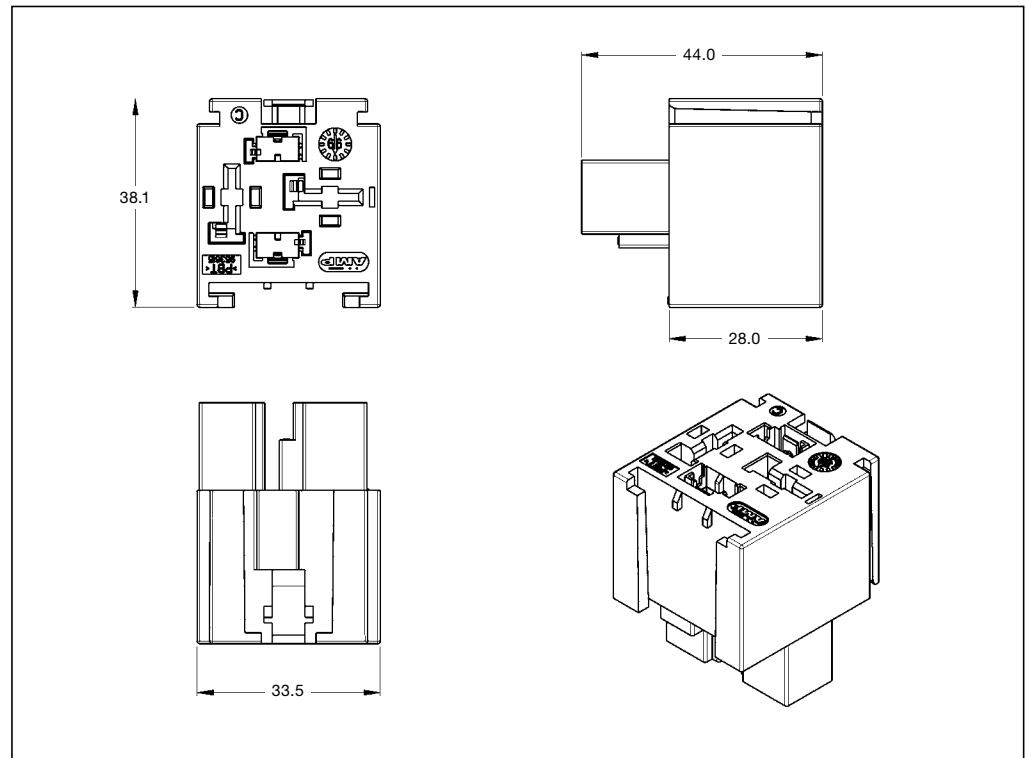
Unsealed

Product Specification:

108-15208

Application Specification:

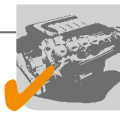
411-15620



Relays Holder Gen1 (1 Maxi Relay 70 A)

Part Number	Housing Color	Material	Package Quantity	Mating Contacts	Wire Size Range (mm ²)	
1-953615-1	Red	PBT	450	Positive Lock MK1	160759-3	0.5 – 1.5
1-953615-2	Purple				154718-3	0.7 – 2.0
					154717-3	2.5 – 4.0
2-953615-1	Natural			MPT Receptacle	962928-1	2.5 – 4.0
2-953615-2	Black				962930-1	4.0 – 6.0
				962932-1	6.0 – 10	

POWERTRAIN SYSTEMS



SAFETY & SECURITY SYSTEMS



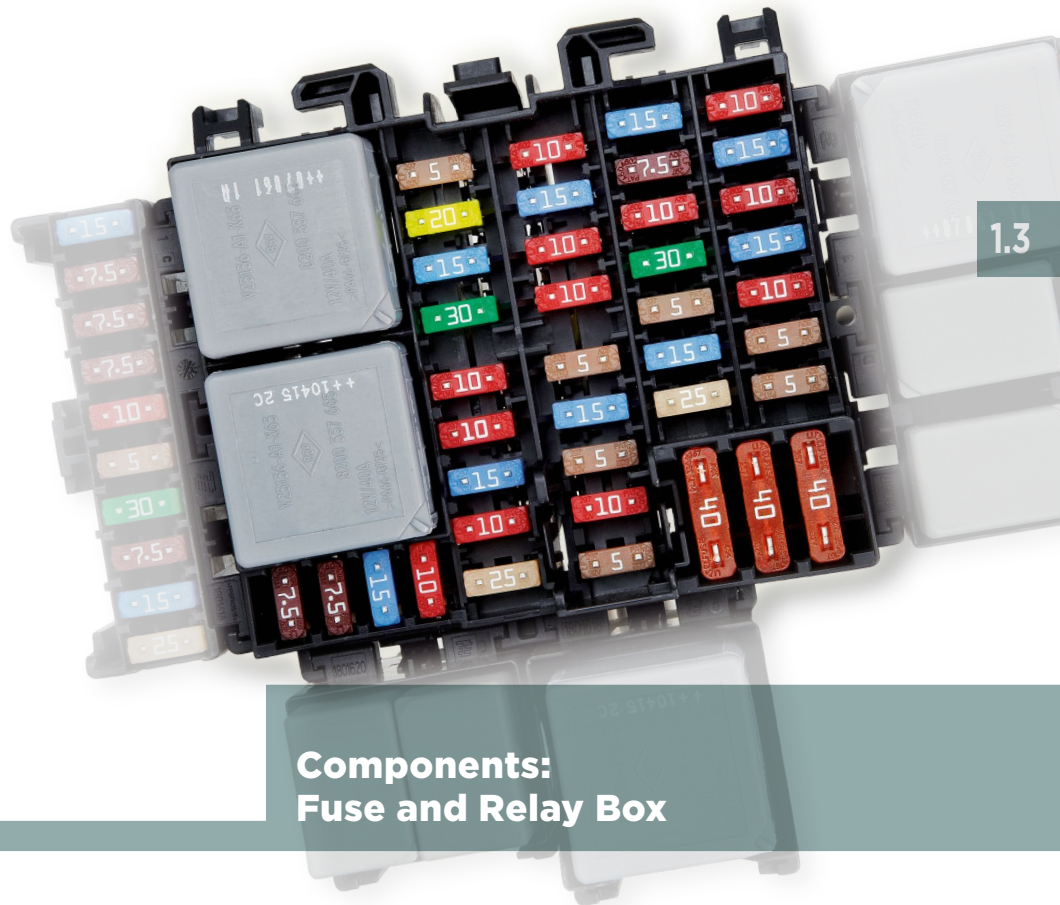
CONVENIENCE



DRIVER INFORMATION



BODY & CHASSIS SYSTEMS



1.3

Components: Fuse and Relay Box

INTRODUCTION

TE Connectivity proposes power distribution systems which combine several protection and/or switching functions, and include some functions electrically coupling together.

1.3

Applications

- Convenience harness
- Engine harness

Technical Features

- Compliant with Mini fuse and ATO fuse technology

Contact used:

Timer family

Housing Material:

PBT GF 10 or
PP GFM 25/15

Can contain up to:

- 2 Micro relays
- 1 Mini relay
- 2 Medium fuses
- 4 Miniature fuses
- 2 Diodes or miniature fuses

Temperature Class:

-40°C to +100°C

Vibration Class:

3G

Sealed / Unsealed:

Unsealed

Product Specification:

108-15406

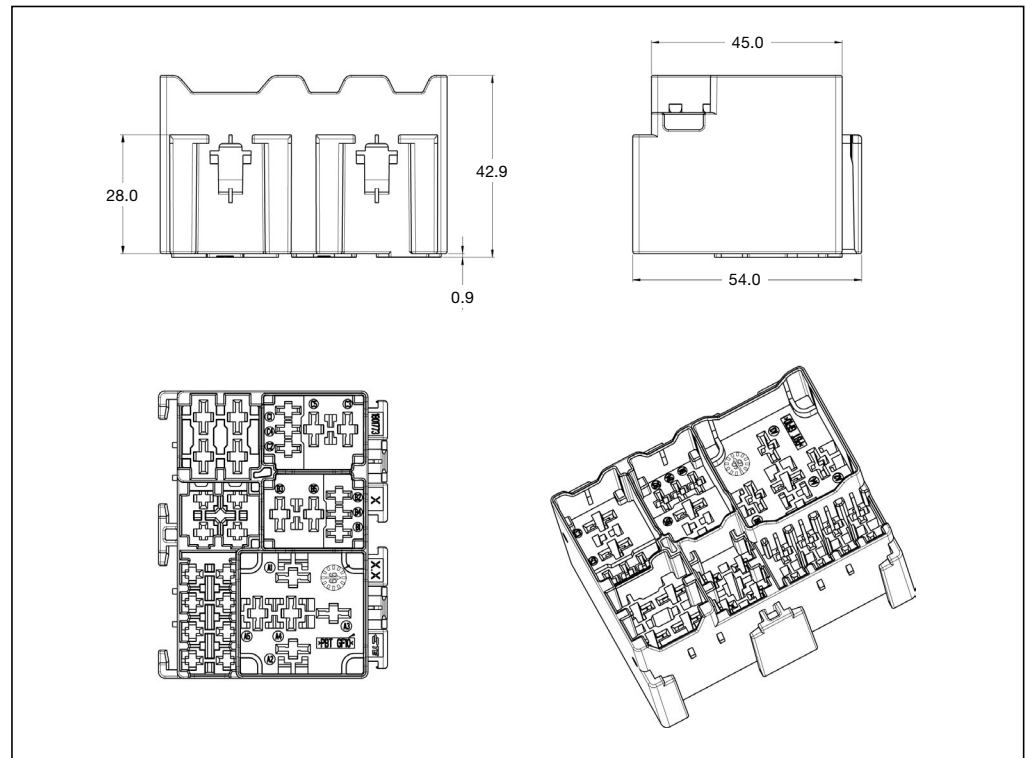
Application Specification:

408-15009

Can be used as stand-alone module or in association with:

- PN 1801616
- PN 1801618
- PN 1801619
- PN 1801620
- PN 1801764
- PN 1801627

Fuse and Relay Holder – 6 Miniature Fuses



Fuse and Relay Holder – 6 Miniature Fuses

Part Number	Housing Color	Material	Mating Contacts	Wire Size Range (mm ²)	
1801773-1	Black	PBT GF10	JPT Receptacle	964280-2	0.2 – 0.5
				964284-2	0.5 – 1.0
				965999-2	1.0 – 2.5
1801617-1		PP GFM 25/15	SPT Receptacle	1241978-2	2.5 – 4.0
				927831-2	0.5 – 1.0
				144617-1	1.0 – 3.0
				144433-1	3.0 – 5.0

Fuse and Relay Holder – 36 Miniature Fuses

Applications

- Convenience harness
- Engine harness
- Switching and protection device

Technical Features

- Compliant with Minifuse and ATO fuse technology
- 4 sets of 4 minitaurer fuses with common power supply

Contact used:

Timer family, shorting busbar

Housing Material:

PBT GF 10

Can contain up to:

- 36 Miniature fuses
- 3 Medium fuses
- 2 Mini relay
- 4 Shorting busbars

Temperature Class:

-40 °C to +100 °C

Vibration Class:

3G

Sealed / Unsealed:

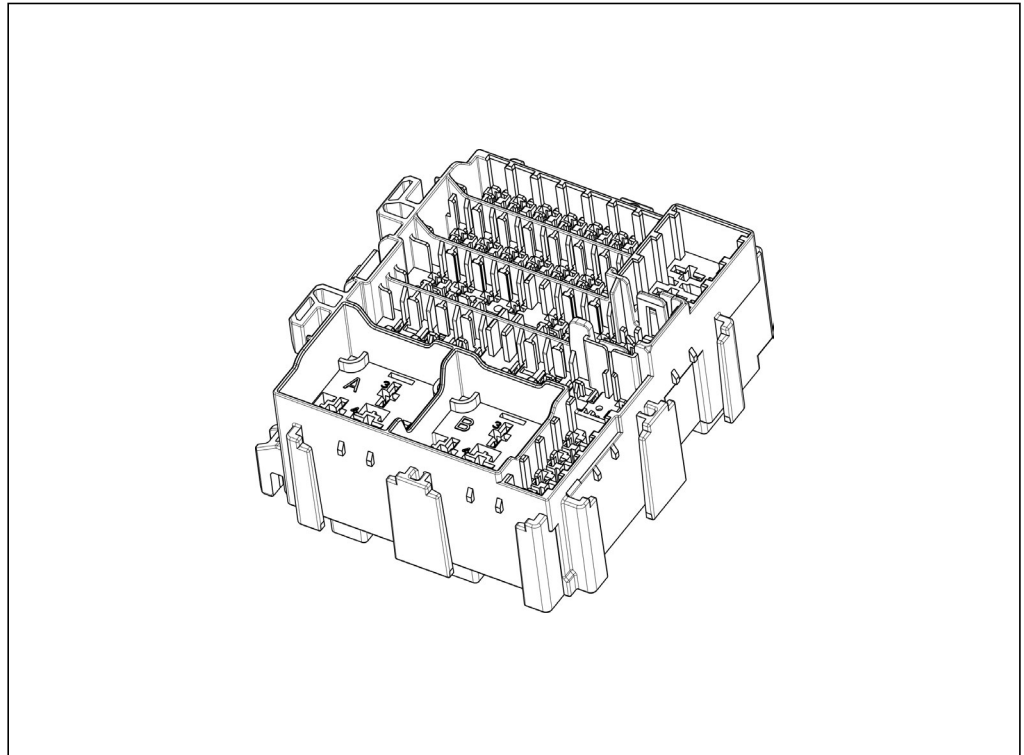
Unsealed

Product Specification:

108-15406

Application Specification:

408-15007



Fuse and Relay Holder – 36 Miniature Fuses

Can be used as stand-alone module or in association with:

- PN 1801616
- PN 1801617
- PN 1801618
- PN 1801619
- PN 1801620
- PN 1801627
- PN 1801773

Part Number	Housing Color	Material	Mating Contacts	Wire Size Range (mm ²)	Shorting Busbar	Wire Size Range (mm ²)
1801764-1	Black	PBT GF10	JPT	964280-2	0.2 – 0.5	1801614-3 1801614-4
			Receptacle	964284-2	0.5 – 1.0	
				965999-2	1.0 – 2.5	
			1241978-2	2.5 – 4.0		
SPT	927831-2	0.5 – 1.0				
	Receptacle	144617-1	1.0 – 3.0			
			144433-1	3.0 – 5.0		

1.3

Applications

- Convenience harness
- Engine harness

Technical Features

- Busbar technology supplying up to 5 Medium fuses
- Compliant with ATO fuse technology
- Detection of partially inserted receptacle

Contact used:

SPT family
NG family

Housing Material:

PBT GF 10

Can contain up to:

5 Medium fuses

Temperature Class:

-40° C to +100° C

Vibration Class:

3G

Sealed / Unsealed:

Unsealed

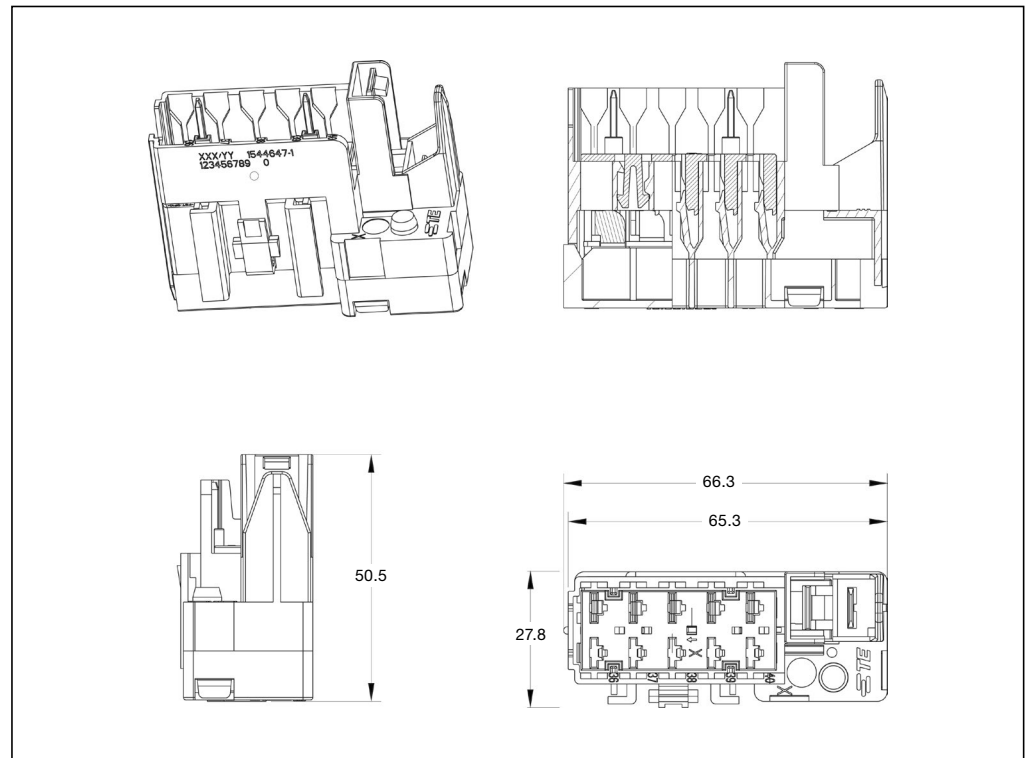
Product Specification:

108-15332

Application Specification:

411-15678

Medium Fuse Holder - 5 Positions



Medium Fuse Holder - 5 Positions

Part Number	Housing Color	Material	Package Quantity	Mating Contacts (6.3 mm Terminals)	Part Number	Crimping Range (mm ²)
1544647-1	Black	PBT, UL 94-HB rated	305	Clip 8 mm with safety lock	1544128-1	6.0 – 10.0
				Rec Housing 8 mm with safety lock	1544129-1	2.0 – 10.0

Medium Fuse Holder - 12 Positions

Applications

- Convenience harness
- Engine harness

Technical Features

- Busbar technology supplying up to 5 Medium fuses
- Compliant with ATO fuse technology
- Detection of partially inserted receptacle

Contact used:

SPT family
NG family

Housing Material:

PBT GF 10

Can contain up to:

12 Medium fuses

Temperature Class:

-40°C to +100°C

Vibration Class:

3G

Sealed / Unsealed:

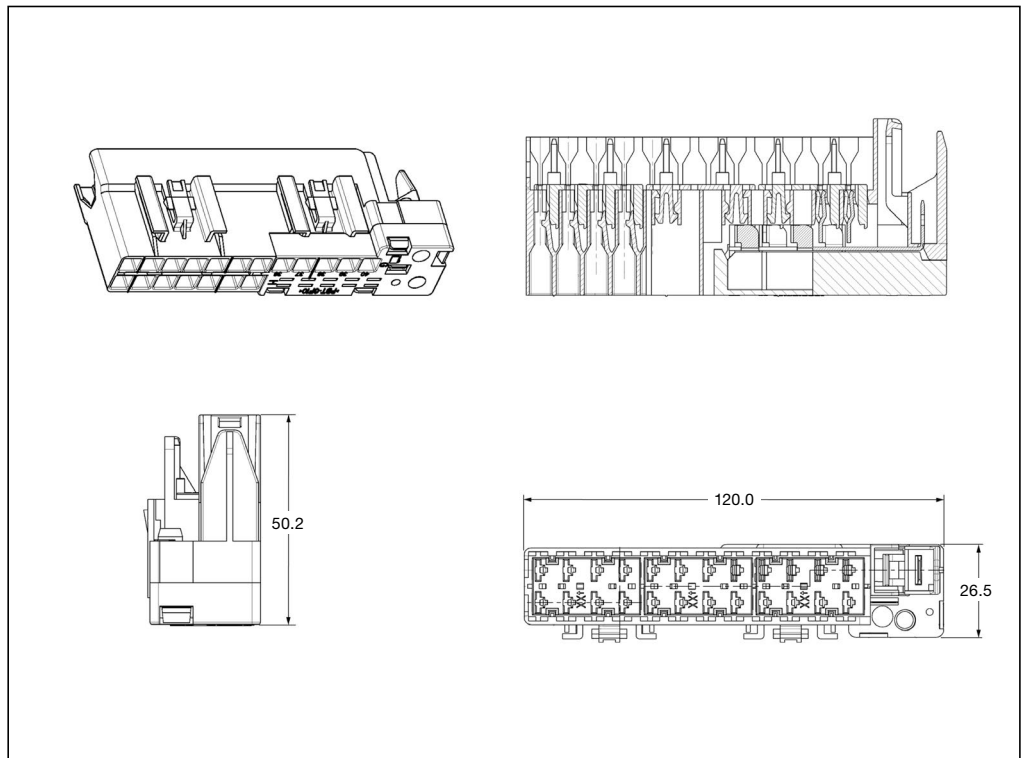
Unsealed

Product Specification:

108-15332

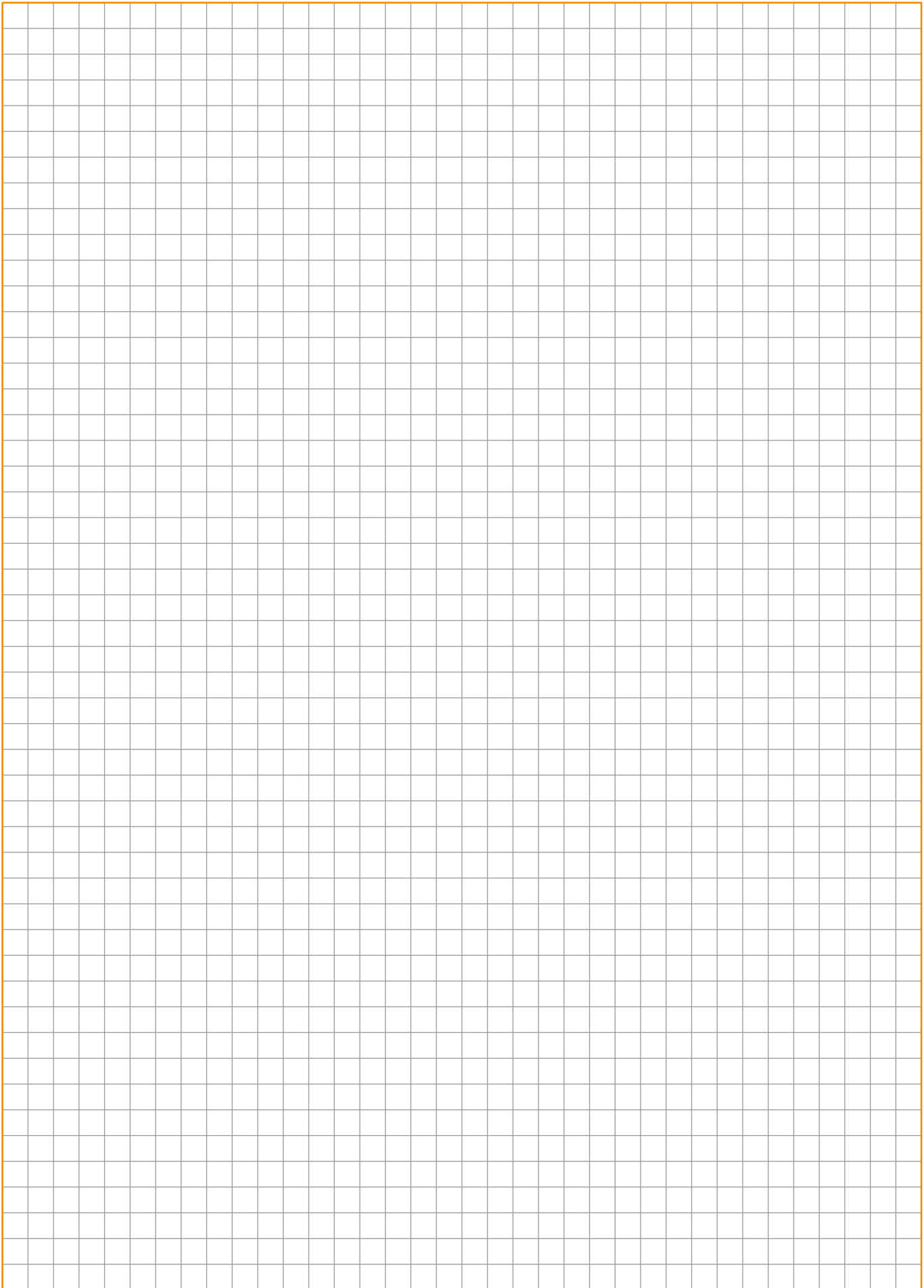
Application Specification:

411-15678



Medium Fuse Holder - 12 Positions

Part Number	Housing Color	Material	Package Quantity	Mating Contacts (6.3 mm Terminals)	Part Number	Crimping Range (mm ²)
1544266-1	Black	PBT, UL 94-HB rated	182	Clip 8 mm with safety lock	1544128-1	6.0 – 10.0
				Rec Housing 8 mm with safety lock	1544129-1	2.0 – 10.0



POWERTRAIN SYSTEMS



SAFETY & SECURITY SYSTEMS



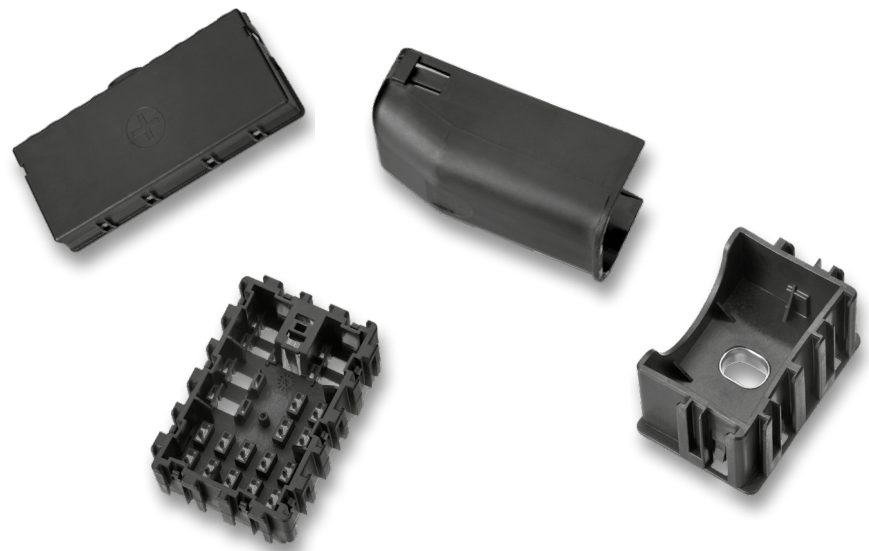
CONVENIENCE



DRIVER INFORMATION



BODY & CHASSIS SYSTEMS



1.4

Busbars, Terminals and Accessories

INTRODUCTION

TE Connectivity proposes specific busbars or terminals, developed for power distribution devices. We can also offer accessories, optional devices like covers or brackets.

1.4

Applications

- Convenience harness
- Engine harness

Technical Features

- Compliant with Mini fuse technology
- Busbar technology supplying up to 4 Miniature fuses

Temperature Class:
 -40°C to +125°C

Vibration Class:
 3G

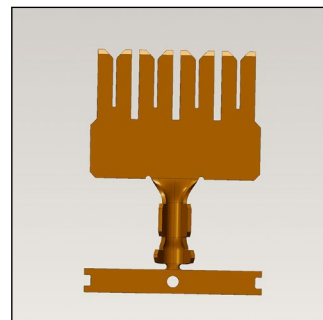
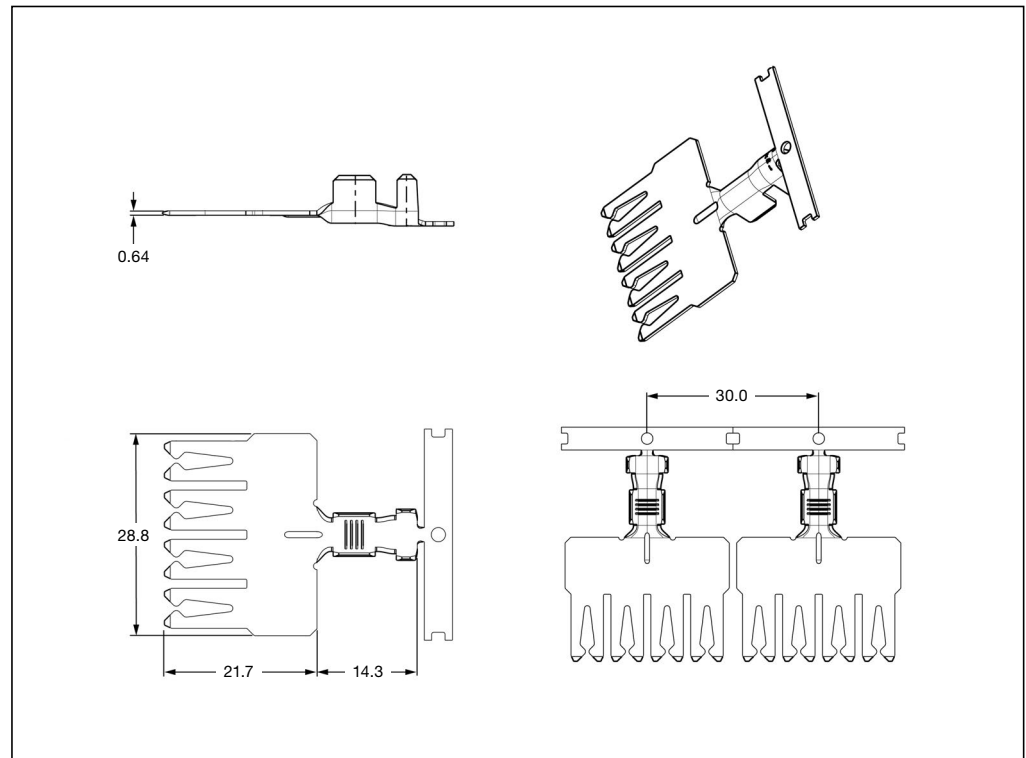
Sealed / Unsealed:
 Unsealed

Product Specification:
 108-15415

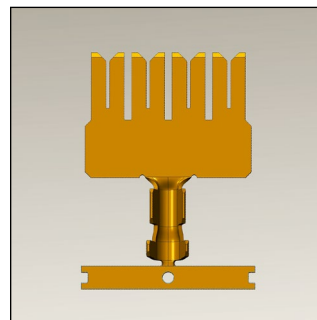
Application Specification:
 114-15124

Can be used with Fuse and Relay Holder:
 PN 1801764

Shorting Busbar Miniature Fuses



1801614-3



1801614-4

Shorting Busbar Miniature Fuses

Part Number	Housing Color	Material	Package Quantity	Mating Components	Crimp Design	
					Wire Size Range (mm ²)	Insulation Range (mm)
1801614-3	Black	Tin plated	2000	up to 4 Miniature fuses	2.5 – 6.0	3.0 – 3.7
1801614-4					5.0 – 6.0	4.0 – 4.3



MFINITY – Bracket Module, 180°

Applications

- Convenience harness
- Engine harness

Technical Features

Material:
PBT

Product Specification:
108-94263

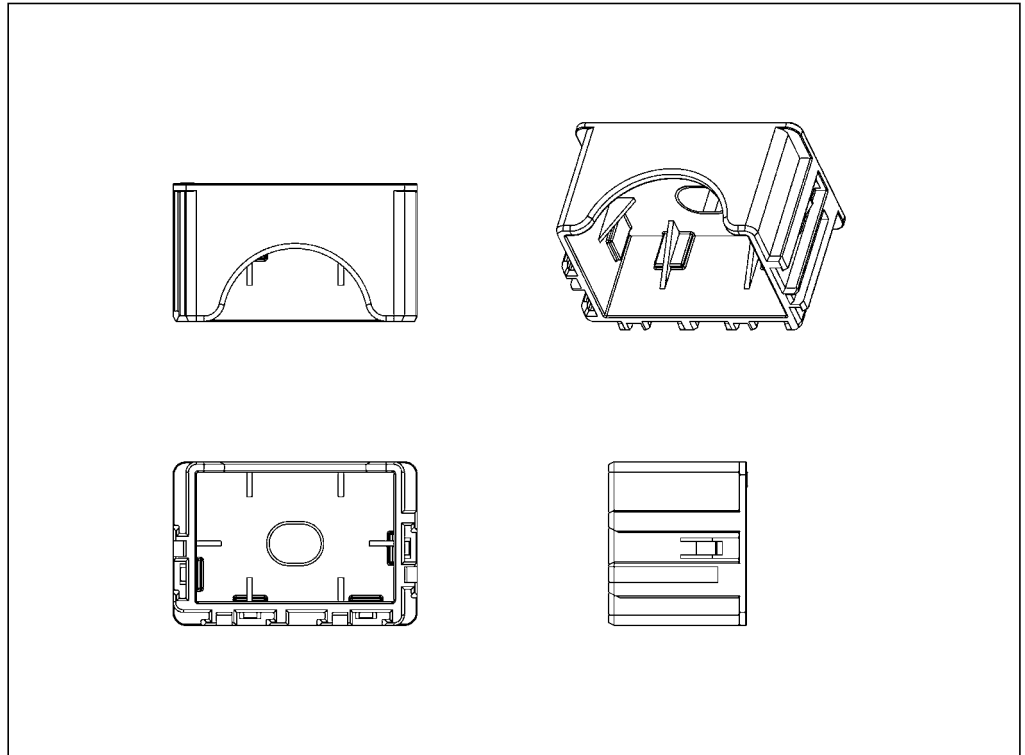
Application Specification:
114-94090

Order information:

Mounting Bracket for Screw M8
Part Number 2141031-1

Can be used with:

- PN 2141022-1
- PN 2141024-1
- PN 2141026-1
- PN 2141028-1
- PN 2141029-1
- PN 2141034-1
- PN 2141040-x



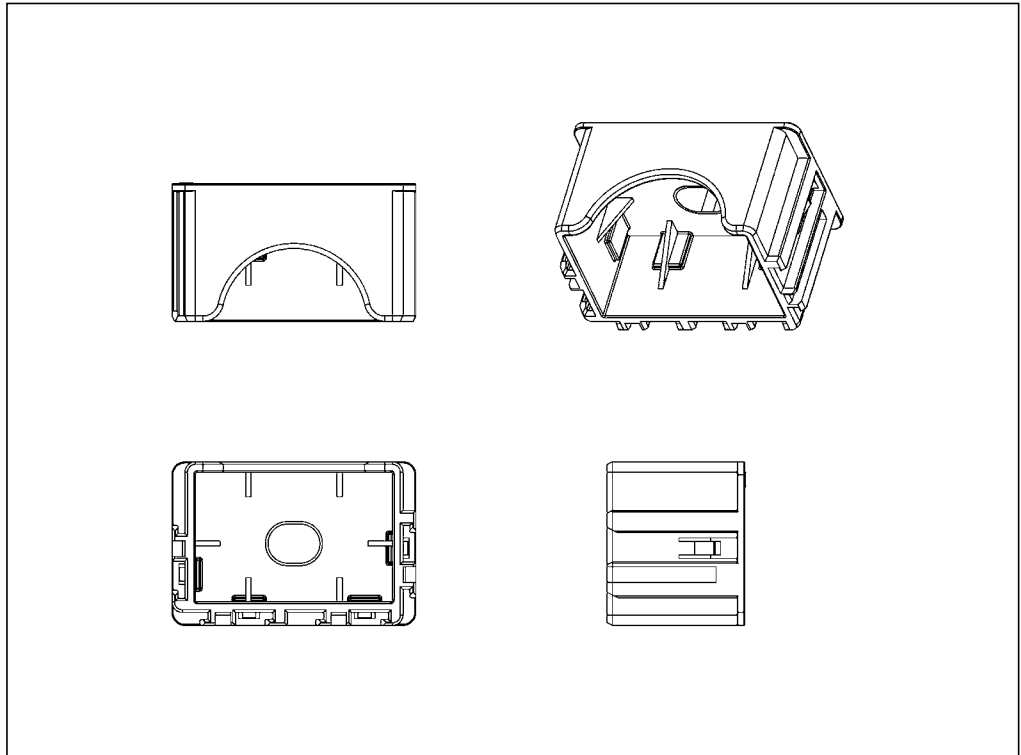
MFINITY – Bracket Module, 180°

Module Part Number	Module Name	Product Dimensions L x W x H (mm)
2141031-1	Bracket Module 180°	42 x 31.5 x 26.5

1.4



MFINITY – Bracket Module, 90°



Applications

- Convenience harness
- Engine harness

Technical Features

Material:
 PBT

Product Specification:
 108-94263

Application Specification:
 114-94090

Order information:

Mounting Bracket for Screw M8
 Part Number 2141031-1

Can be used with:

- PN 2141022-1
- PN 2141024-1
- PN 2141026-1
- PN 2141028-1
- PN 2141029-1
- PN 2141034-1
- PN 2141040-x

MFINITY – Bracket Module, 90°

Module Part Number	Module Name	Product Dimensions L x W x H (mm)
2141031-2	Bracket Module 90°	42 x 31.5 x 26.55

Brackets for Modular Relay or Fuse Holder, 1 Position

Applications

- Convenience harness

Technical Features

Housing Material:

PA 66

Temperature Class:

-40° C to +85° C

Vibration Class:

3G

Sealed / Unsealed:

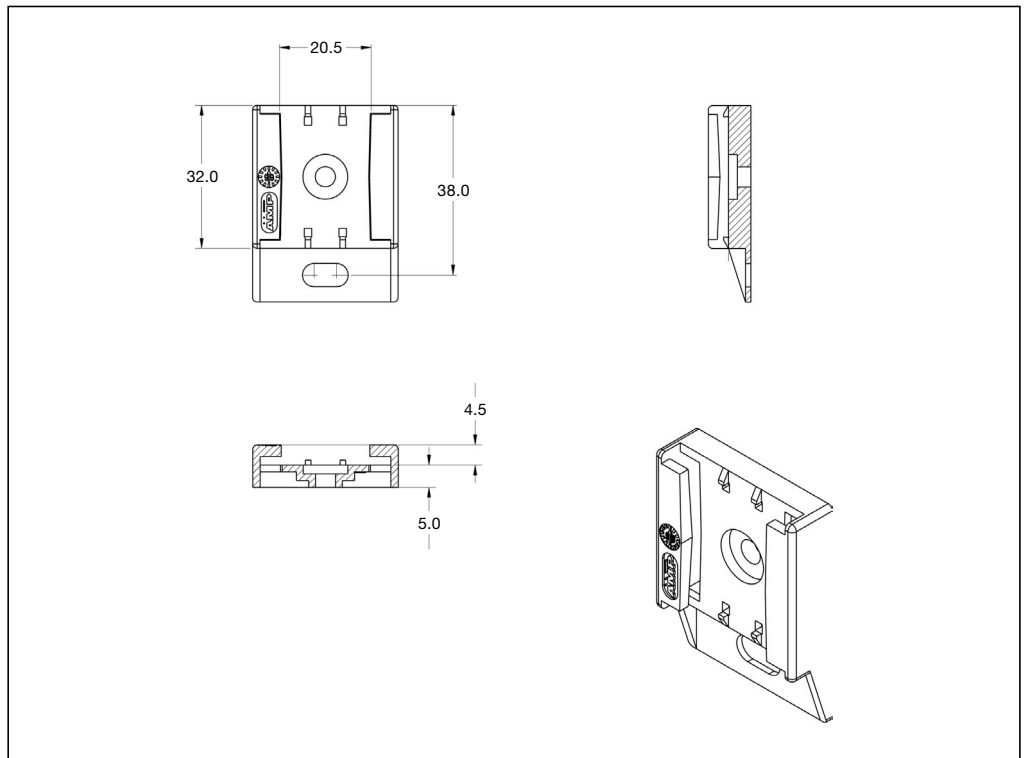
Unsealed

Product Specification:

108-15219

Application Specification:

411-15616



Brackets for Modular Relay or Fuse Holder, 1 Position

Part Number	Housing Color	Material	Package Quantity	Mating Components
				Modular Relay Holder 185402-1 185402-2 185402-3
				Modular Relay Holder for Relays (4 positions / 5 positions) 185403-1 185403-2 185403-3 185403-4
				Medium Fuse Holder (4 positions) 185847-1 185847-2
953653-2	Black	PA 66 Glass Fiber	1000	Modular Relay Holder (50 – 60 A) 953615-x
				Modular Relay Holder (50 – 60 A and 70 A) 953615-x
				Relay Holder Gen2 1801618-x 1801619-x 1801620-x
				Fuse and Relay Holder 1801616-x 1801627-x 1801628-x 1801764-x

1.4

Applications

- Convenience harness

Technical Features

Housing Material:

PA 66

Temperature Class:

-40° C to +85° C

Vibration Class:

3G

Sealed / Unsealed:

Unsealed

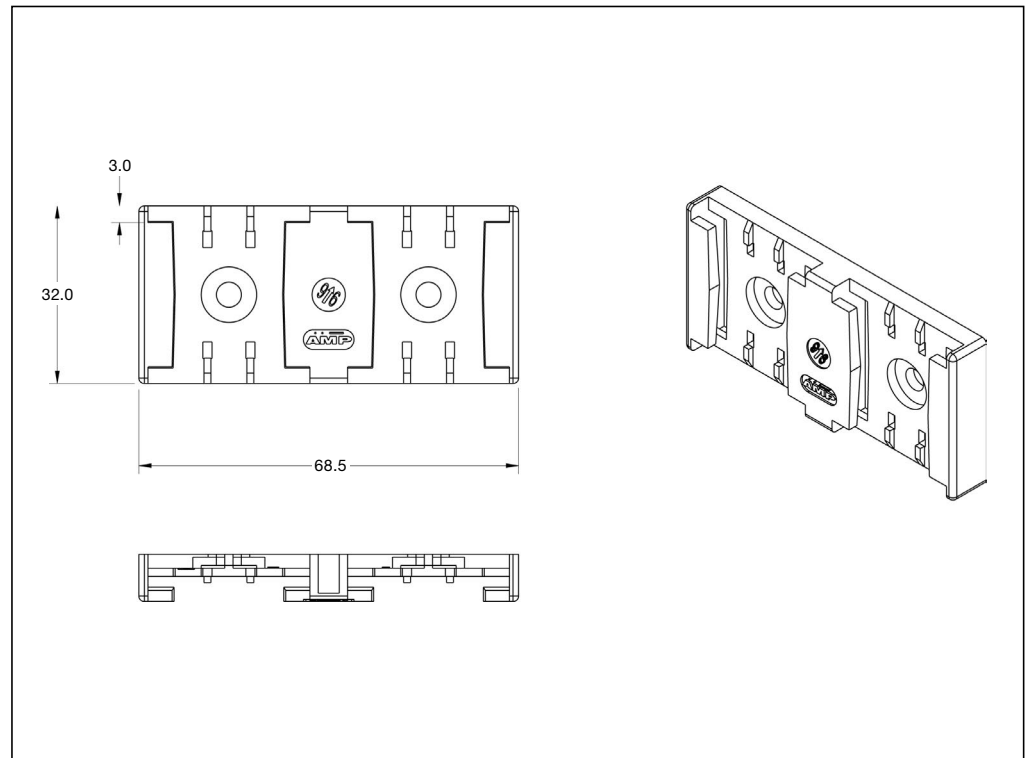
Product Specification:

108-15162

Application Specification:

411-15589

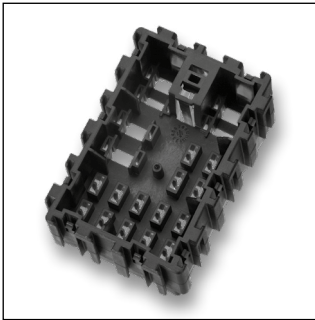
Brackets for Modular Relay or Fuse Holder, 2 Positions



Brackets for Modular Relay or Fuse Holder, 2 Positions

Part Number	Housing Color	Material	Package Quantity	Mating Components
				Modular Relay Holder 185402-1 185402-2 185402-3
				Modular Relay Holder for Relays (4 positions / 5 positions) 185403-1 185403-2 185403-3 185403-4
				Medium Fuse Holder (4 positions) 185847-1 185847-2
185695-1 (*)	Black	PA 66 Glass Fiber	450	Modular Relay Holder (50 – 60 A) 953615-x
				Modular Relay Holder (50 – 60 A and 70 A) 953615-x
				Relay Holder Gen2 1801618-x 1801619-x 1801620-x
				High Current Fuse Holder 1801627-3 1801628-x

(*) On request; please contact your TE Connectivity representative for any query.



MFINITY – Spare Fuse Module

Applications

- Convenience harness
- Engine harness

Technical Features

Material:
PBT

Product Specification:
108-94263

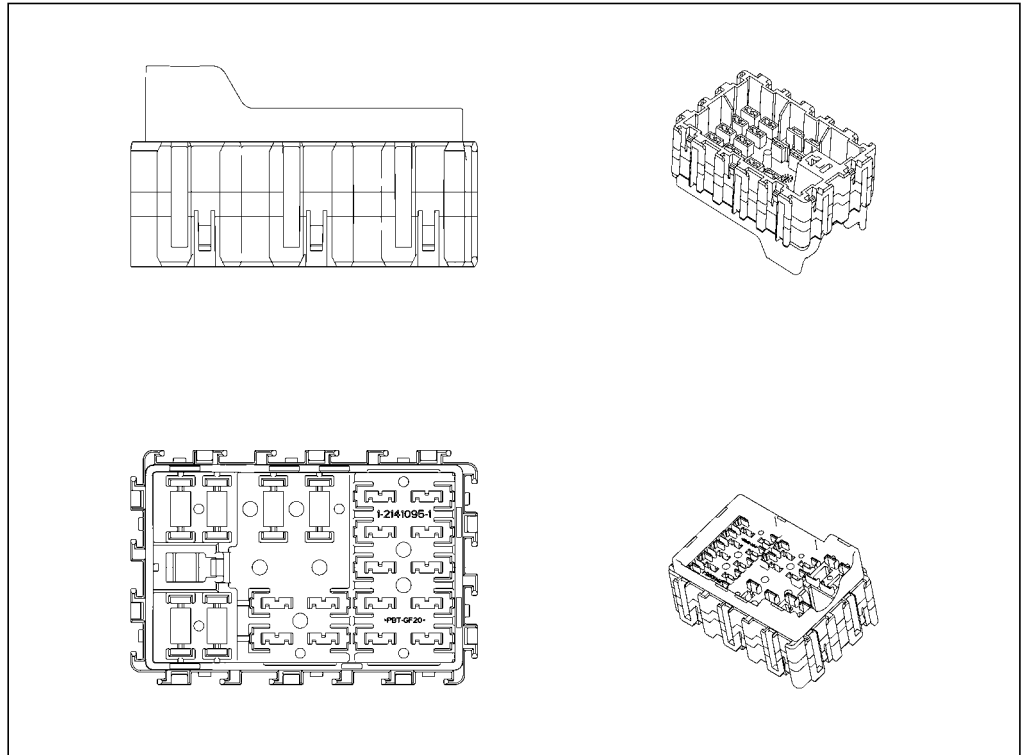
Application Specification:
114-94090

Can contain up to:

- 7x Medium (ATO) Fuses
used in module
Part Number 2141028-1
- 6x Miniature (Mini) Fuses
used in module
Part Number 2141029-1
- 1x Fuse Puller

Can be used as stand-alone module or in association with:

- PN 2141022-1
- PN 2141024-1
- PN 2141026-1
- PN 2141029-1
- PN 2141034-1
- PN 2141031-x
- PN 2141040-x



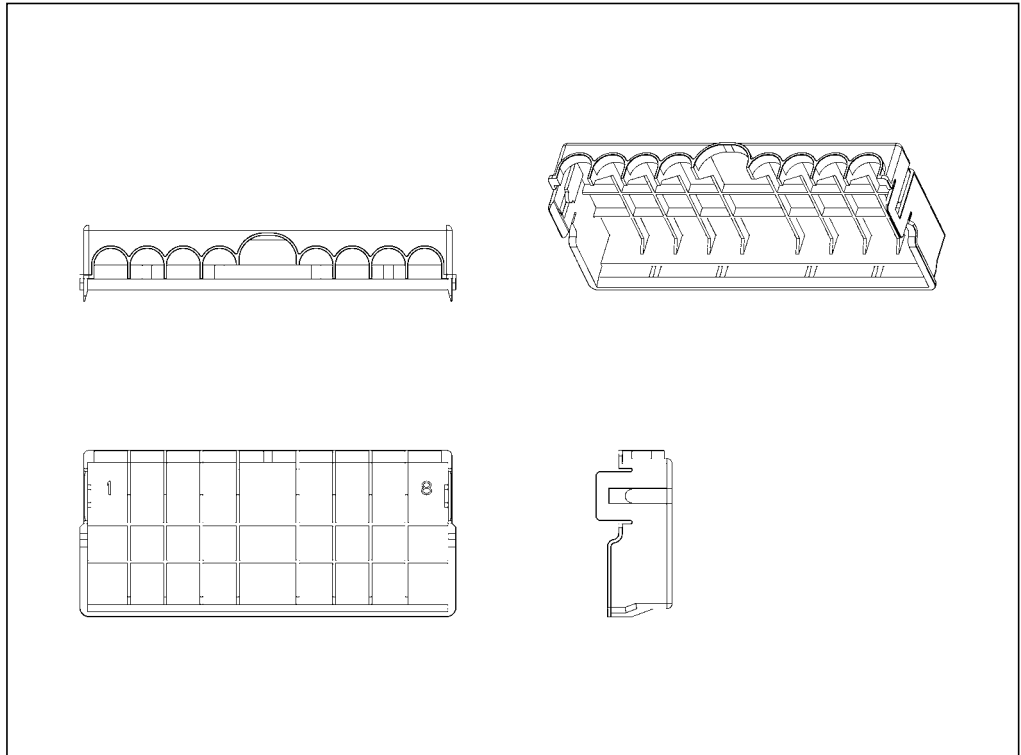
MFINITY – Spare Fuse Module

Module Part Number	Module Name	Product Dimensions L x W x H (mm)
1-2141095-1	Spare Fuse Module	69.1 x 46.7 x 40

1.4



MFINITY – Cover for Pre-Fuse SF30 Module



Technical Features

Material:

PP

Product Specification:

108-94263

Application Specification:

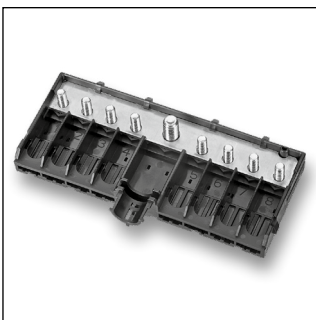
114-94090

MFINITY – Cover for Pre-Fuse SF30 Module

Module Part Number	Module Name	Product Dimensions L x W x H (mm)
2141033-1	Cover for SF30 Fuse Module	140.4 x 62 x 28.5

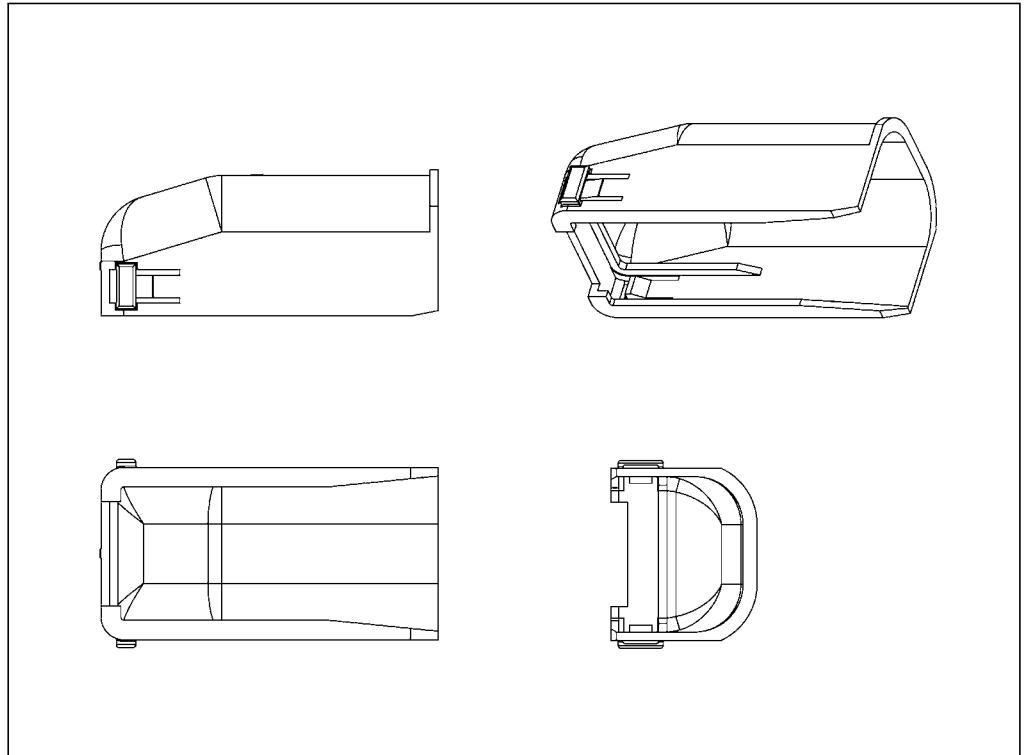
Mating Cover
 Part Number

[see page 7](#)
 2141034-1





MFINITY – Cover for Type A Fuse Module



Technical Features

Material:
 PP

Product Specification:
 108-94263

Application Specification:
 114-94090

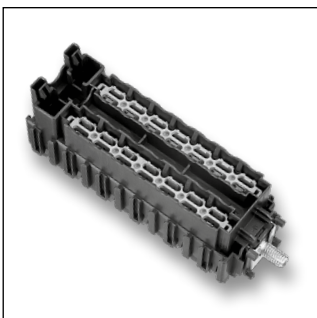
Order Information

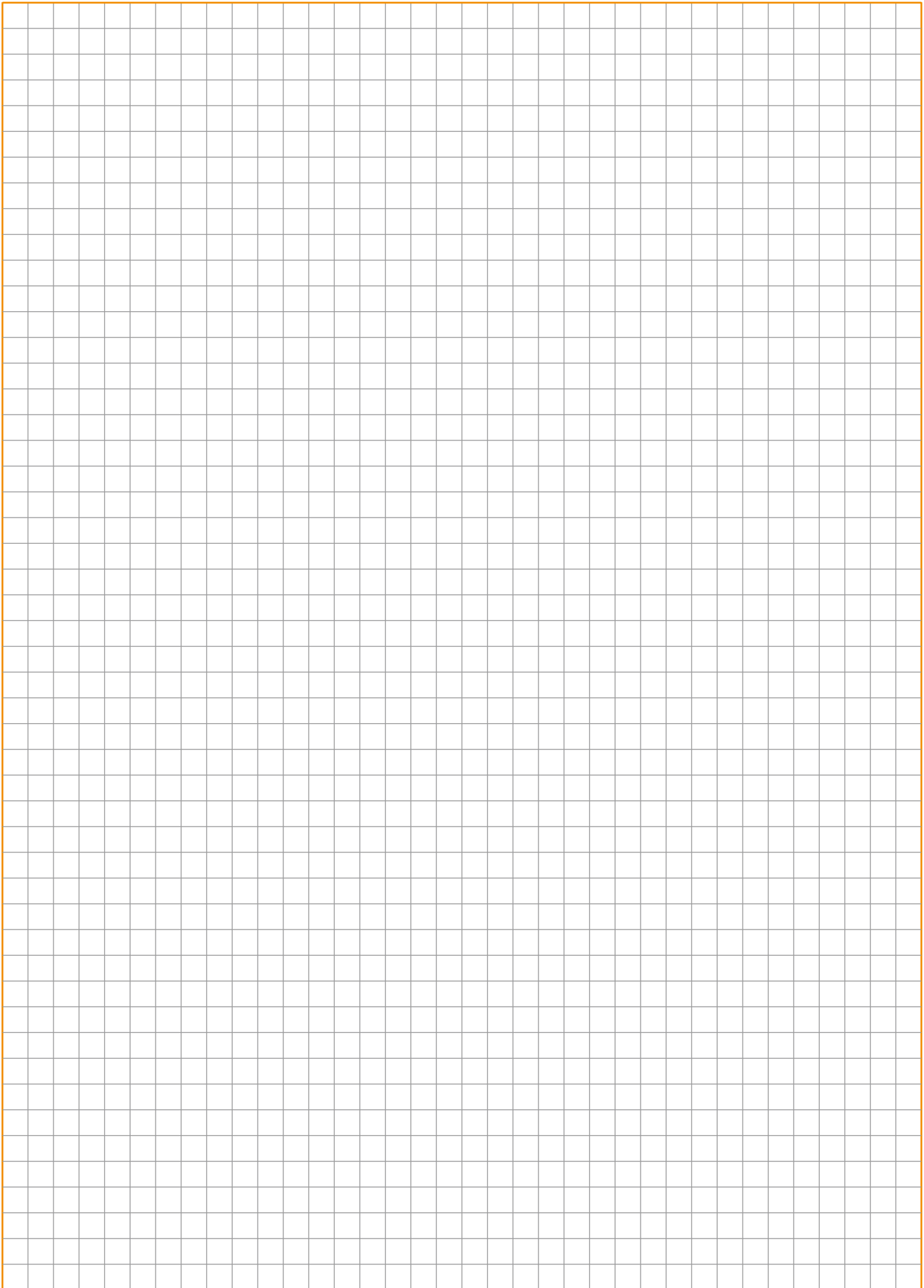
Cover for B+ Protection
 Part Number 2141039-1

MFINITY – Cover for Type A Fuse Module

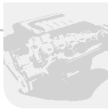
Module Part Number	Module Name	Product Dimensions L x W x H (mm)
2141039-1	Cover for Type A Fuse Module	60 x 33.4 x 26

Mating Module [see page 8 + 9](#)
 Part Number 2141040-1





POWERTRAIN SYSTEMS



SAFETY & SECURITY SYSTEMS



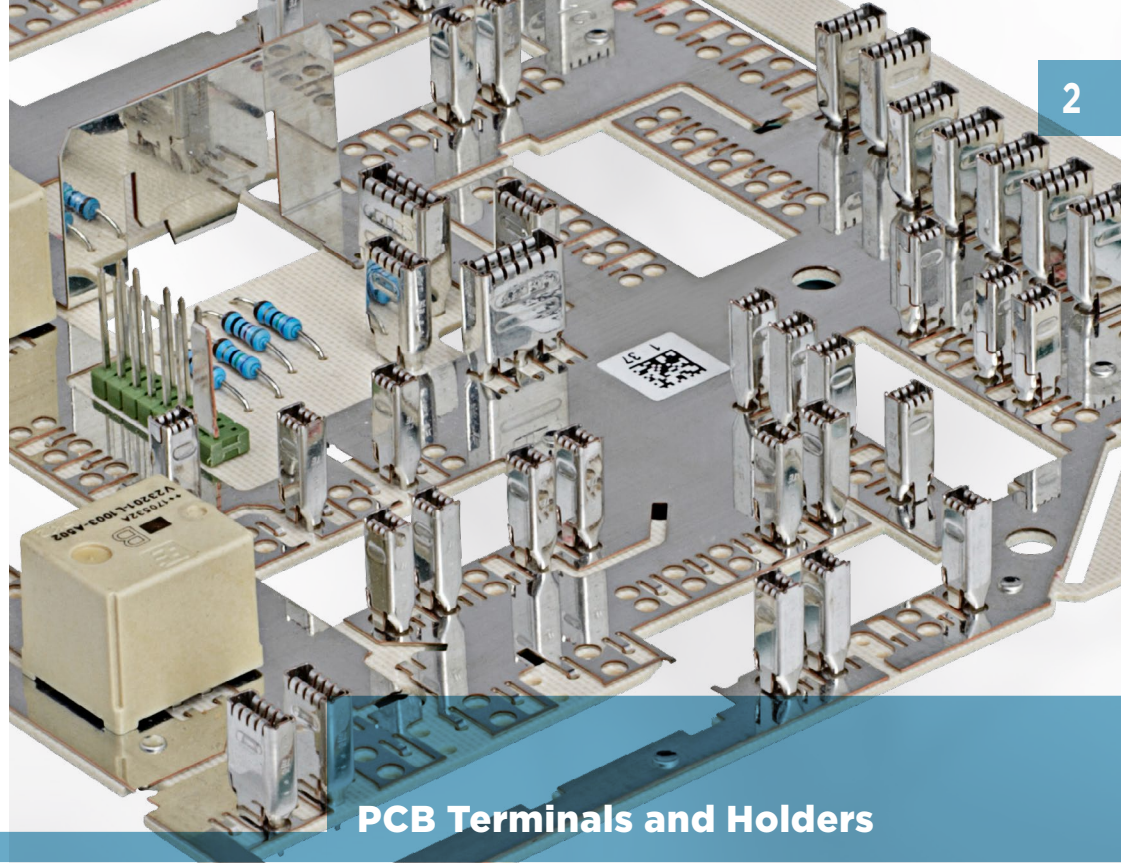
CONVENIENCE



DRIVER INFORMATION



BODY & CHASSIS SYSTEMS



PCB Terminals and Holders

INTRODUCTION

Our wide range of printed circuit board (PCB) terminals and holders are engineered for numerous electronic applications.

In addition to hard wired devices, our PCB products are ideal for protection and switching devices. This chapter offers product information to help engineers overcome connection challenges of PCB applications.


Technical Features
Application / Function

Fuse

Contact Material

CuNiSi

Plating

Tin-Silver

Termination Method

Through Hole

PCB Tab Dimension

1.4 x 0.5 mm

Product Drawing

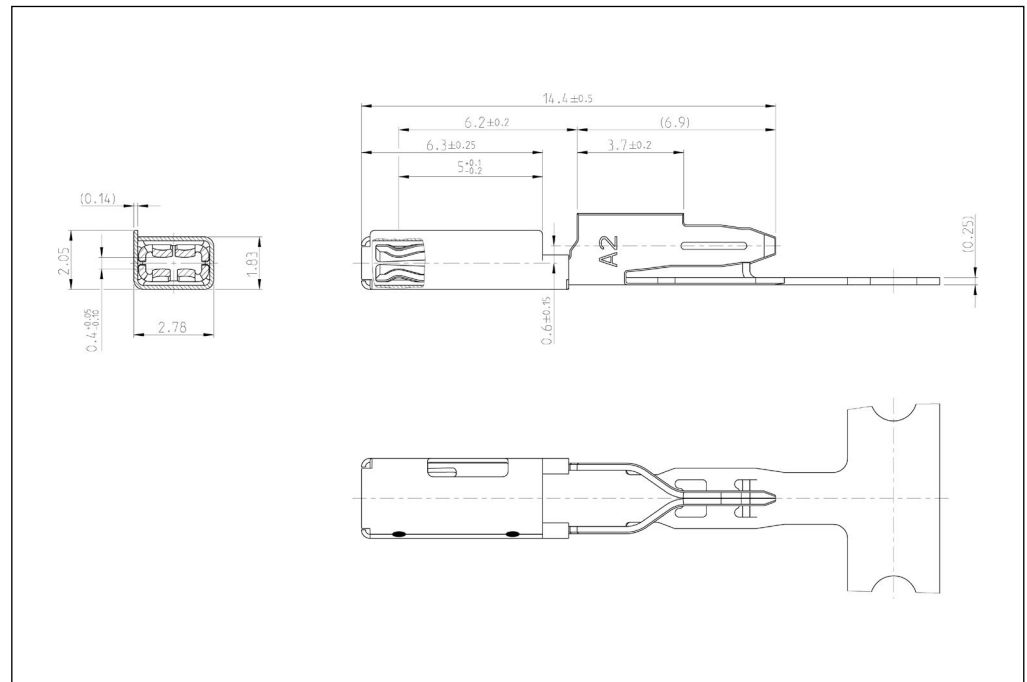
1670208

Product Specification

./.

Application Specification

./.

MQS 1.5 mm Terminal

MQS 1.5 mm Terminal

Part Numbers		Wire Size	Plating	Packaging
Root PN	Component PN			
1670208	1670208-1	16.4	Tin-Silver	Palet

Technical Features

Application / Function
Others

Contact Material
CuZn30

Plating
Tin

Termination Method
Through Hole

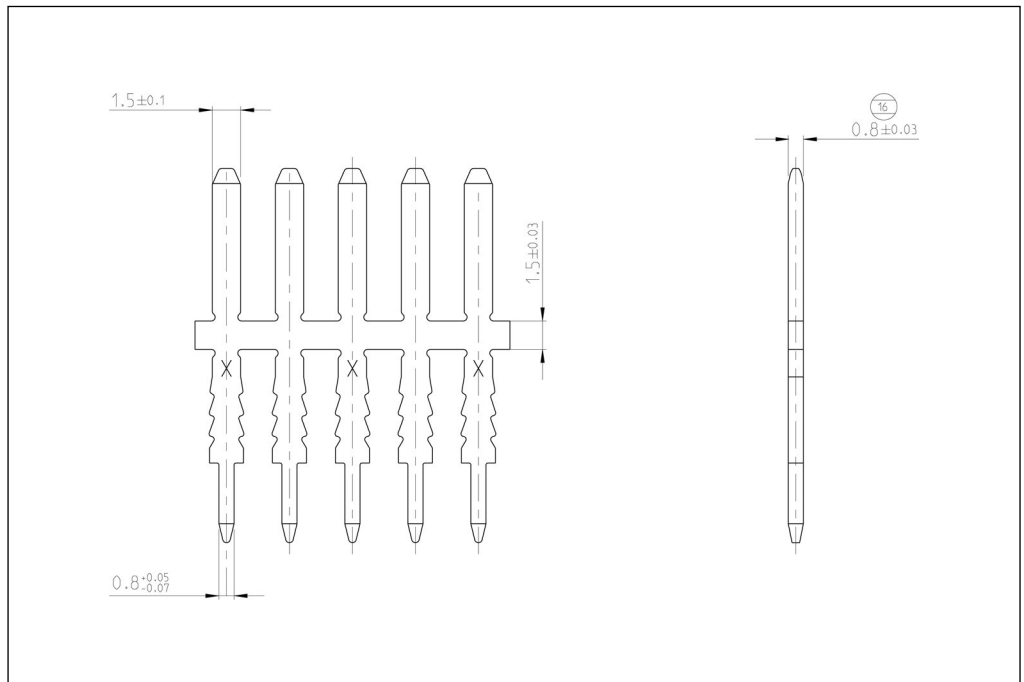
Tab Thickness
0.8 mm

Product Drawing
1379736

Product Specification
./.

Application Specification
./.

Tab Contact 1.5 x 0.8 mm



Tab Contact 1.5 x 0.8 mm

Part Numbers		Wire Size	Plating	Packaging
Root PN	Component PN			
1379736	2-1379736-2	19.75	Tin	Reel

Technical Features

Application / Function
Others

Contact Material
CnZn30 T4

Plating
Tin

Termination Method
Through Hole

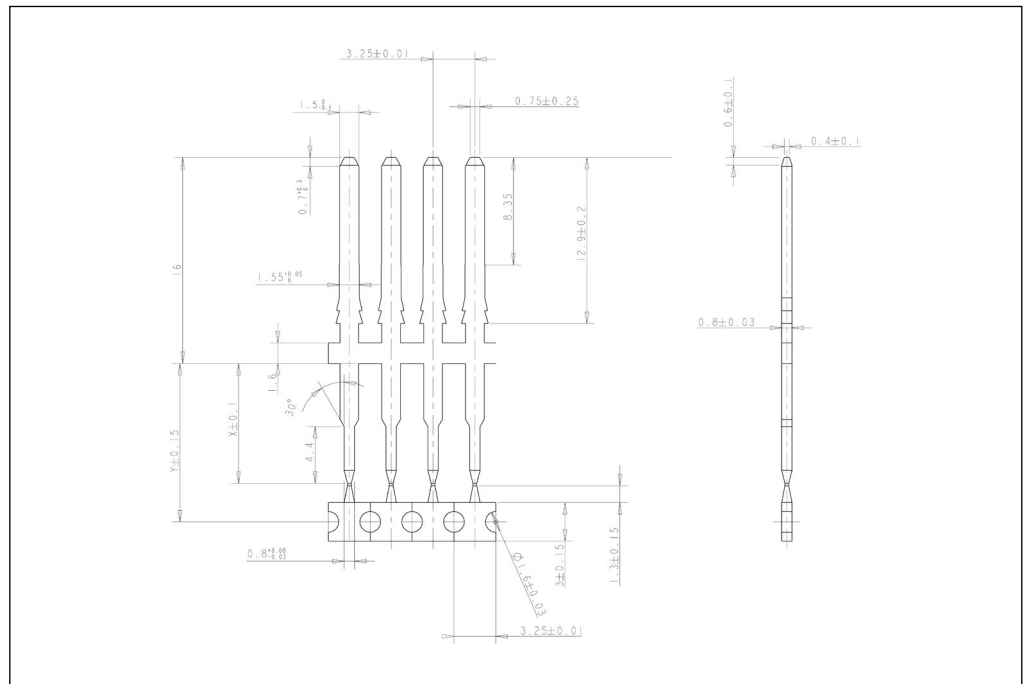
Tab Thickness
0.8 mm

Product Drawing
953374

Product Specification
./.

Application Specification
./.

AMP MCP Tab 1.5 x 0.8 mm - Plain



AMP MCP Tab 1.5 x 0.8 mm - Plain

Part Numbers		Length (mm)	Plating	Packaging
Root PN	Component PN			
953374	1-953374-1	37.75	Tin	Reel
	1-953374-2	48.75		

Technical Features

Application / Function

Fuse

Contact Material

CuFe 2P

Plating

Tin

Termination Method

Through Hole

PCB Tab Hole Dimension

2.6 x 1.2 mm

Product Drawing

1544549

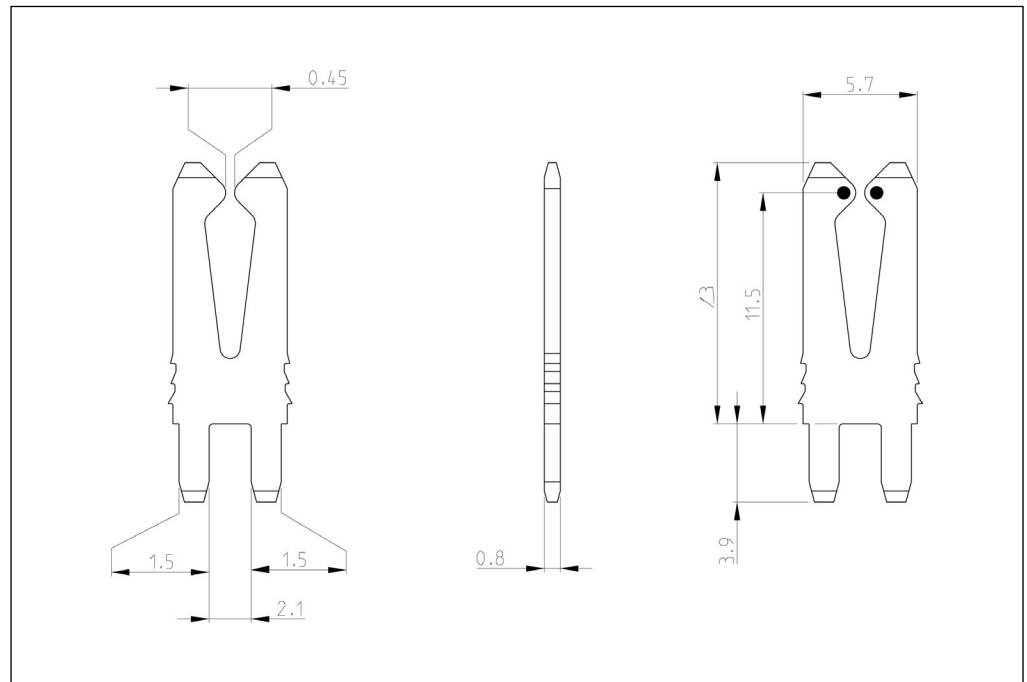
Product Specification

./.

Application Specification

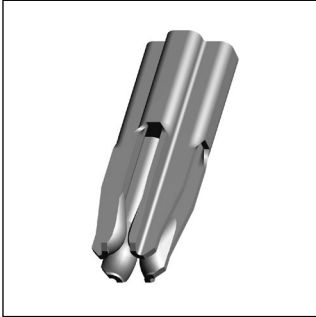
./.

1.5 mm Autofuse Contact – Plated

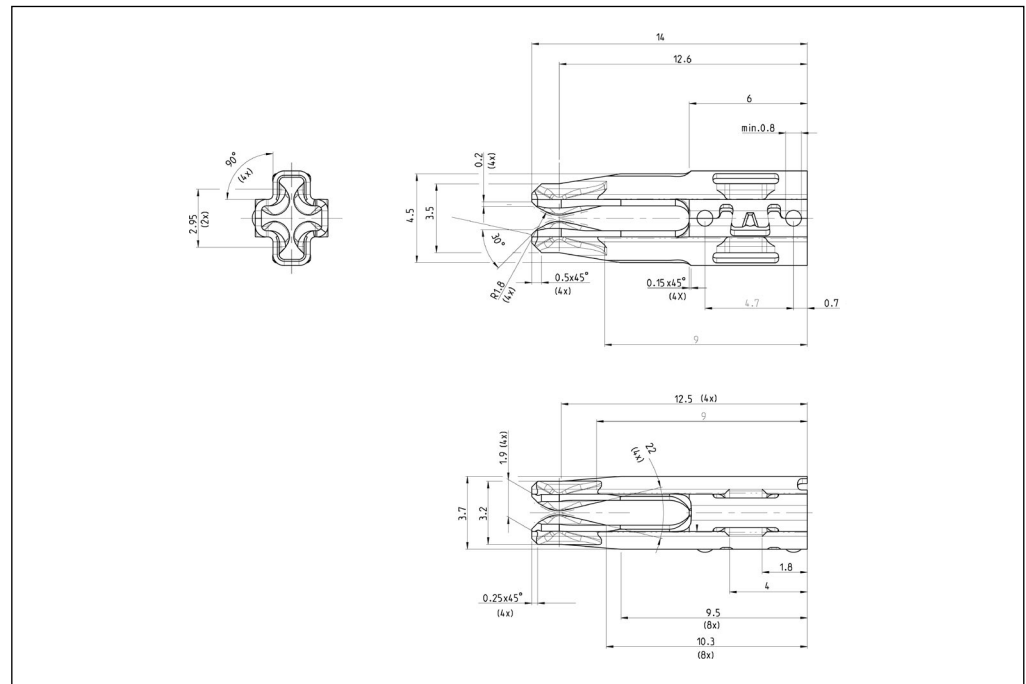


1.5 Autofuse Contact – Plated

Part Numbers		Dimensions (mm)	Plating	Packaging
Root PN	Component PN			
1544549	1544549-1	./.	Tin	Palet



2.8 mm Cross Contact for Stamped Circuit 0.8



Technical Features

Application / Function

Fuse or Relay

Contact Material

CuNiSi

Plating

Tin / Tin-Silver

Termination Method

Through Hole

Stamped Circuit Thickness

0.8 mm

Mating Tab Dimensions

2.8 x 0.8 mm

Product Drawing

1823667

Product Specification

108-94188

Application Specification

114-94202

2.8 mm Cross Contact for Stamped Circuit 0.8

Part Numbers		Stamped Circuit Thickness (mm)	Plating	Packaging
Root PN	Component PN			
	2-968908-1		Tin	Palet
968908	2-968908-2	0.8	Tin-Silver	Palet
	968908-1		Tin	Reel

Technical Features

Application / Function
Fuse

Contact Material
CuFe 2P SM 196

Plating
Tin

Termination Method
Through Hole

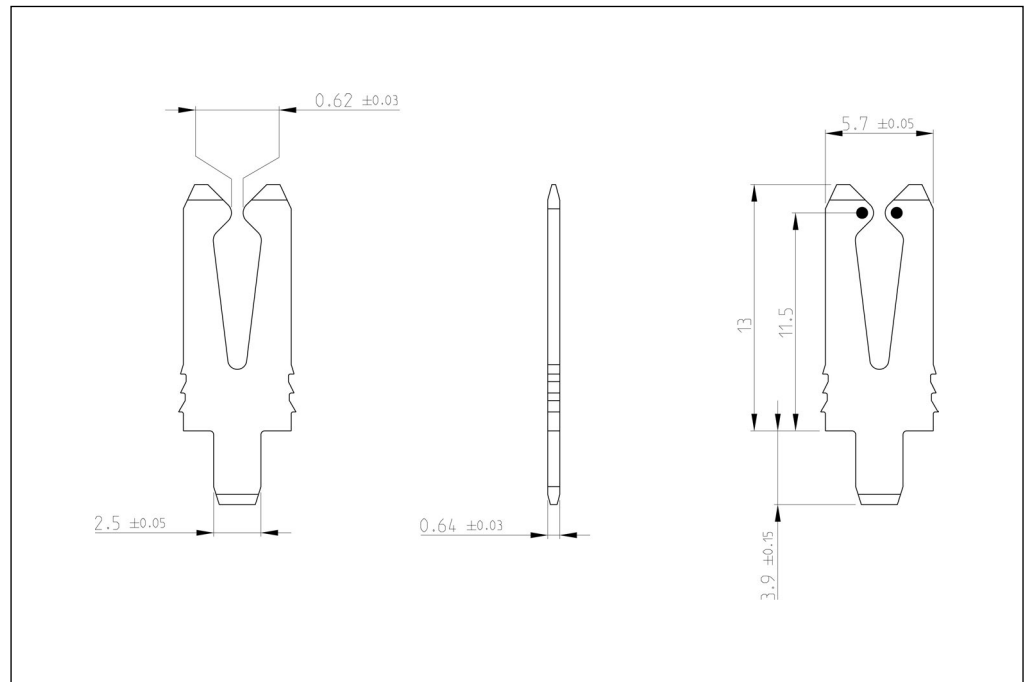
PCB Tab Dimension
2.5 x 0.64 mm

Product Drawing
1544547

Product Specification
./.

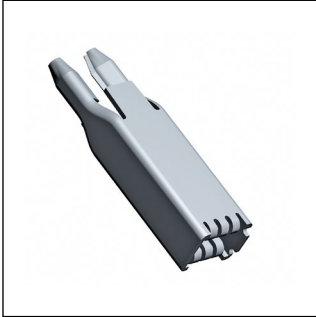
Application Specification
./.

Minifuse Contact – Plated

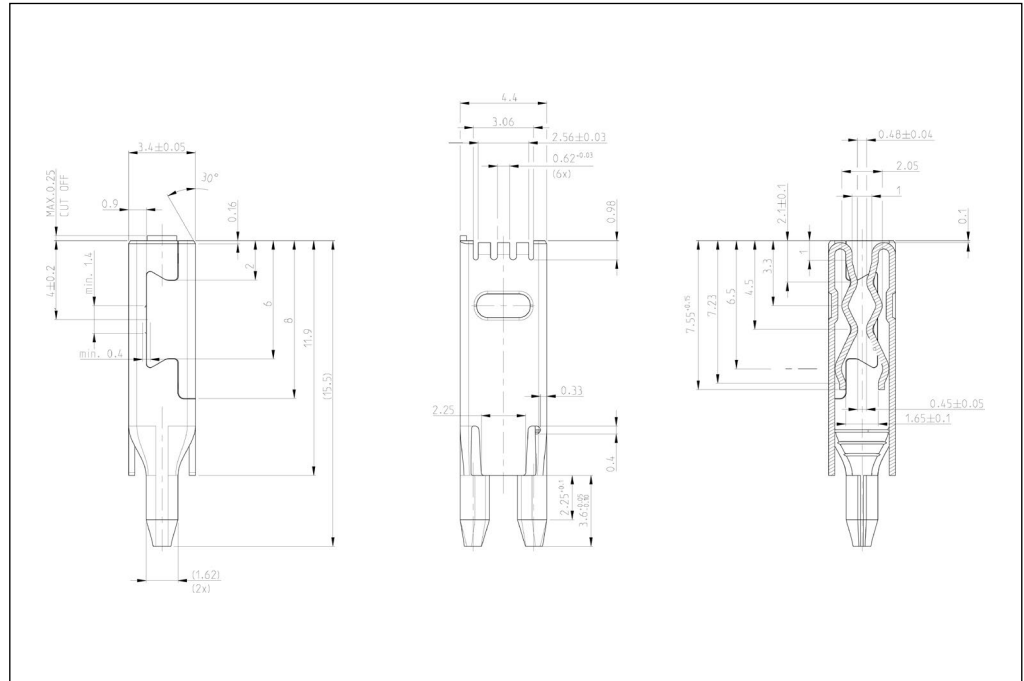


Minifuse Contact – Plated

Part Numbers		Length (mm)	Plating	Packaging
Root PN	Component PN			
1544547	1544547-1	16.9	Tin	Palet



PCB 2.8 Terminal - SN



Technical Features

Application / Function

Fuse or Relay

Contact Material

CuNiSi/Sn

Plating

Tin-Silver

Termination Method

Through Hole

PCB Hole Dimension

Ø 1.5 mm

Product Drawing

1719103

Product Specification

108-94308

Application Specification

114-18910

PCB 2.8 Terminal - SN

Part Numbers		Mating Part (mm)	Plating	Packaging
Root PN	Component PN			
1719103	1719103-1	2.8 x 0.825	Tin-Silver	Palet
	1-1719103-1			Reel

Technical Features

Application / Function

Others

Contact Material

CuSn0.15

Plating

Tin

Termination Method

Through Hole

Tab Thickness

0.6 mm

Product Drawing

1670483

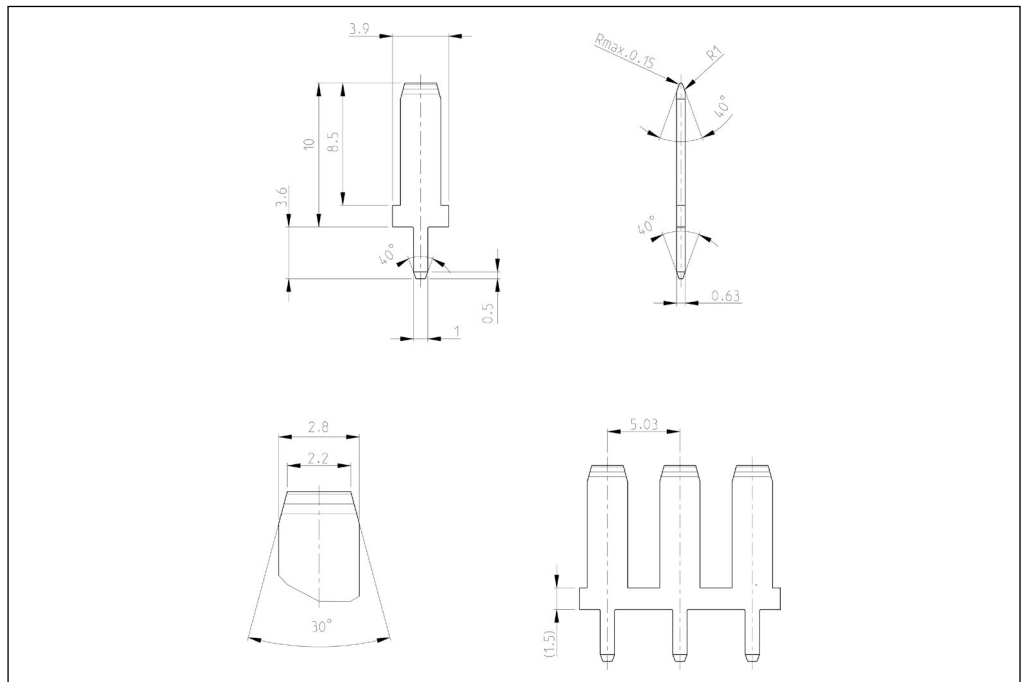
Product Specification

./.

Application Specification

./.

Tab 2.8 x 0.6 mm



Tab 2.8 x 0.6 mm

Part Numbers		Length (mm)	Plating	Packaging
Root PN	Component PN			
1670483	1-1670483-1	13.6	Tin	Reel
	1670483-1			Palet

Technical Features

Application / Function

Fuse

Contact Material

CuSn0.15/0.20

Plating

Gold

Termination Method

Through Hole

Tab Thickness

0.8 mm

Product Drawing

1718956

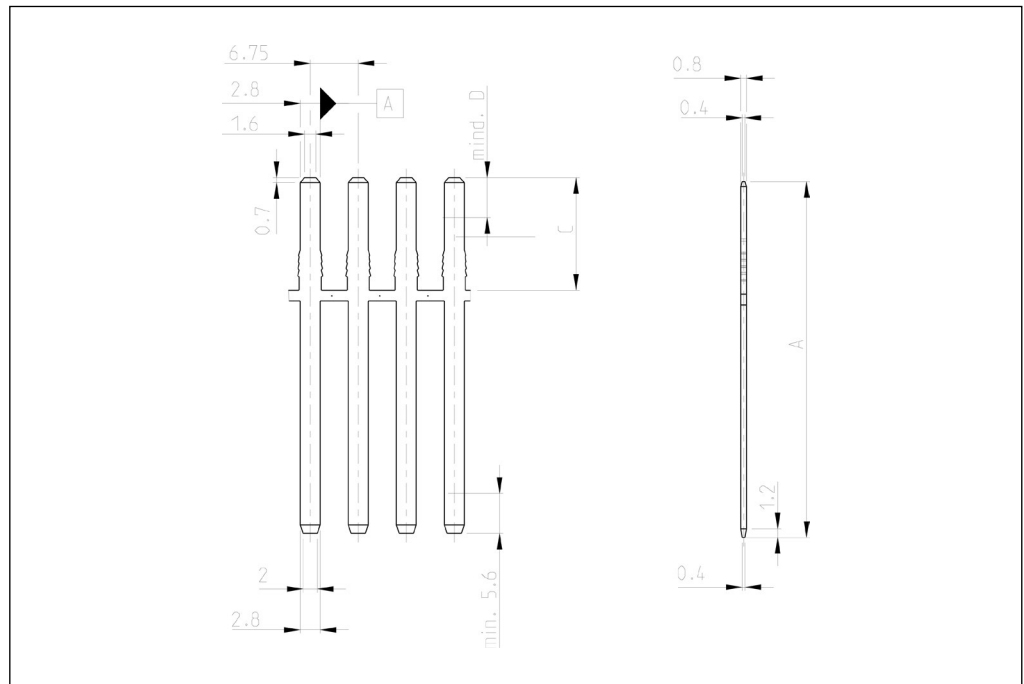
Product Specification

./.

Application Specification

./.

Tab 2.8 x 0.8 mm



Tab 2.8 x 0.8 mm

Part Numbers		Dimensions			Plating	Packaging
Root PN	Component PN	A	C	D		
1718956	1718956-3	49.8	16	5.6	Gold	Reel
	1718956-5	49.8	8	16		

Technical Features

Tab 2.8 x 0.8 mm - Plated

Application / Function

Fuse

Contact Material

CuZn30

Plating

Tin

Termination Method

Through Hole

Tab Thickness

0.8 mm

Product Drawing

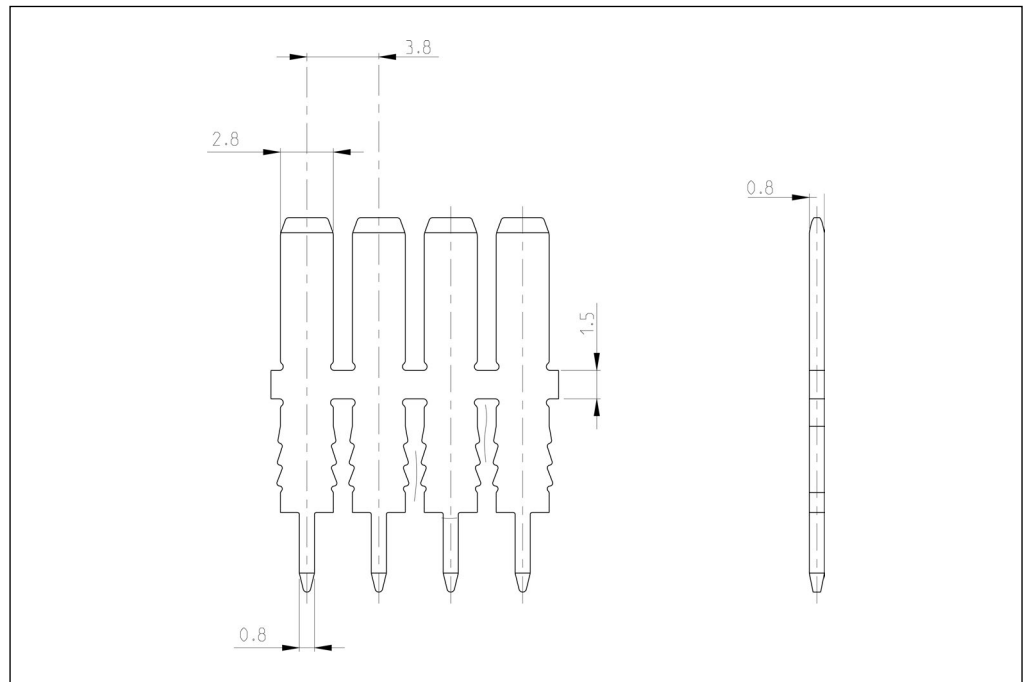
1379737

Product Specification

./.

Application Specification

./.



Tab 2.8 x 0.8 mm - Plated

Part Numbers		Length (mm)	Plating	Packaging
Root PN	Component PN			
1379737	1379737-2	19.75	Tin	Reel
	1379737-4	25.30		Palet

Technical Features

Application / Function

Fuse

Contact Material

CuZn30

Plating

Tin

Termination Method

Through Hole

Tab Thickness

0.8 mm

Product Drawing

953373

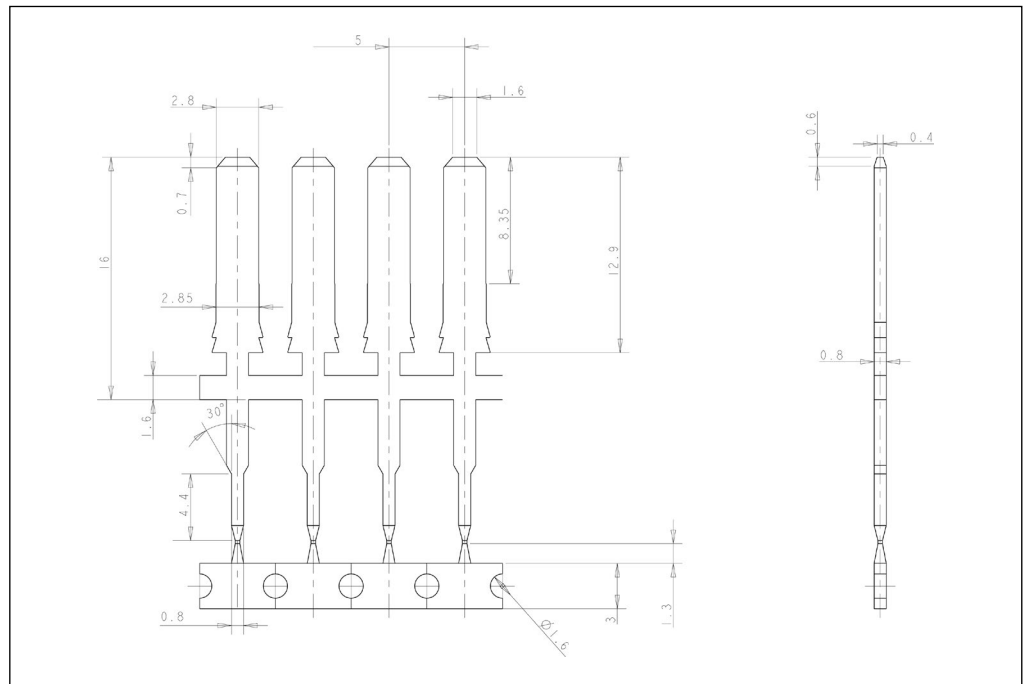
Product Specification

./.

Application Specification

./.

AMP MCP Tab 2.8 x 0.8 mm – Plain

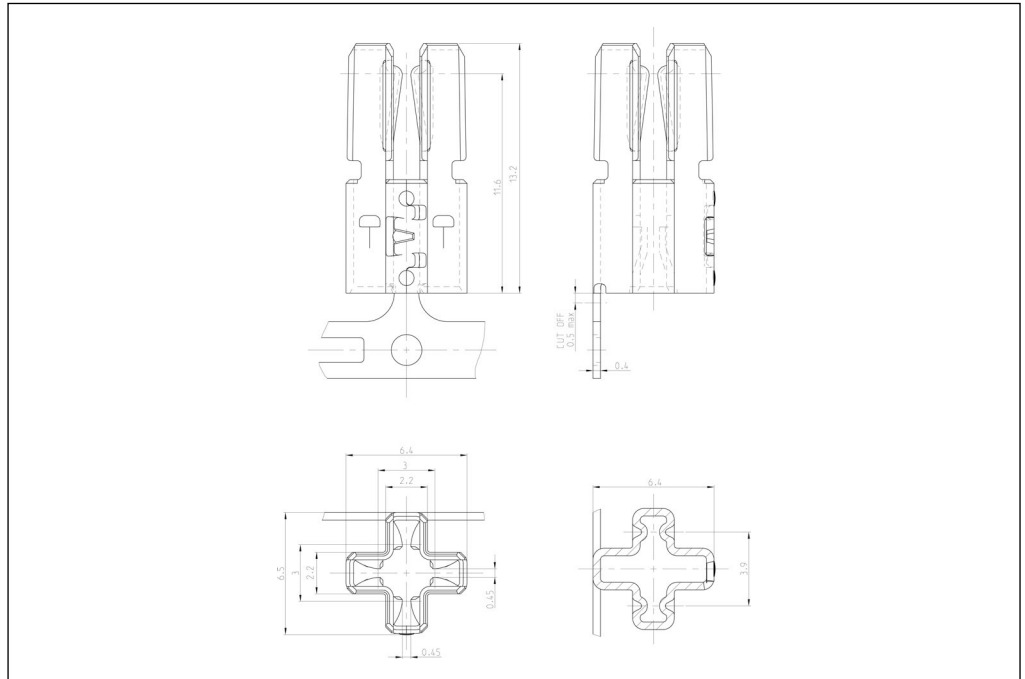


AMP MCP Tab 2.8 x 0.8 mm – Plain

Part Numbers		Length (mm)	Plating	Packaging
Root PN	Component PN			
953373	1-953373-1	37.75	Tin	Palet
	1-953373-2	48.75		



6.3 Cross Contact for Stamped Circuit 0.63



Technical Features

Application / Function

Relay

Contact Material

CuNiSi

Plating

Tin

Termination Method

Through Hole

Stamped Circuit Thickness

0.63 mm

Mating Tab Dimensions

6.3 x 0.8 mm

Product Drawing

1823667

Product Specification

108-94188

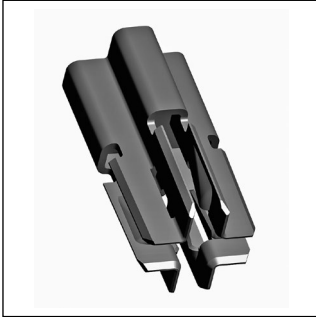
Application Specification

114-94202

6.3 Cross Contact for Stamped Circuit 0.63

Part Numbers		Stamped Circuit Thickness (mm)	Plating	Packaging
Root PN	Component PN			
968047	968047-1	0.63	Tin	Reel

2.3



Technical Features

Application / Function

Relay

Contact Material

CuNiSi

Plating

Tin / Tin-Silver

Termination Method

Through Hole

Stamped Circuit Thickness

0.8 mm

Mating Tab Dimensions

6.3 x 0.8 mm

Product Drawing

1823667

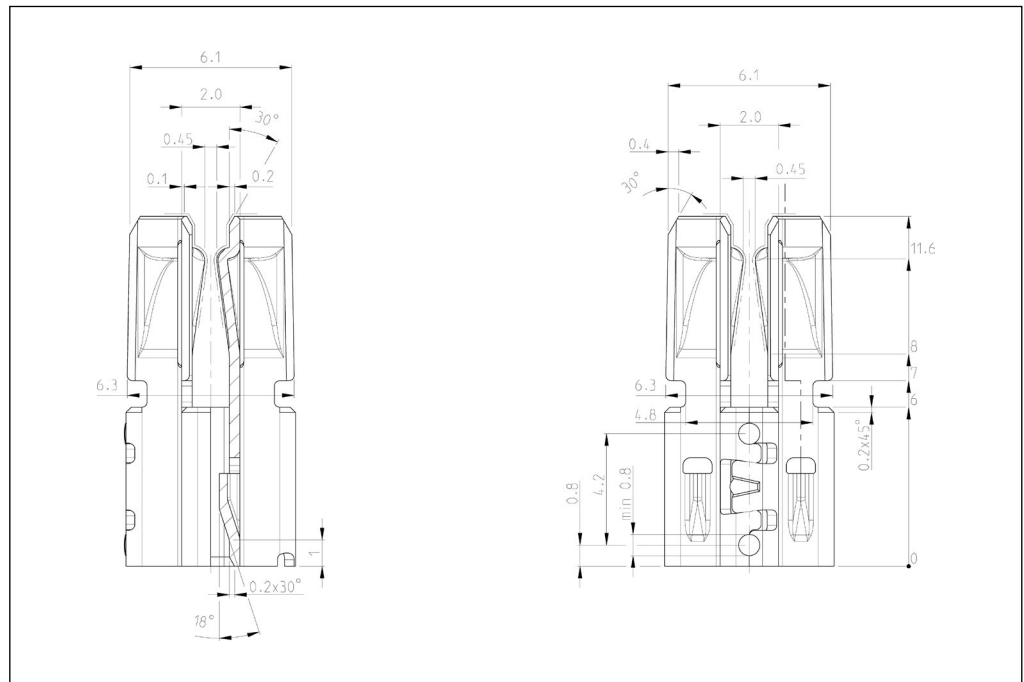
Product Specification

108-94188

Application Specification

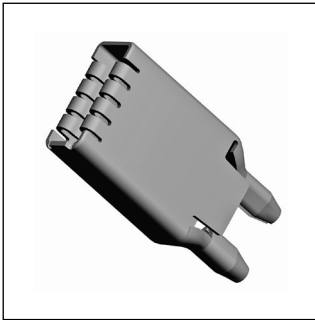
114-94202

6.3 Cross Contact for Stamped Circuit 0.8

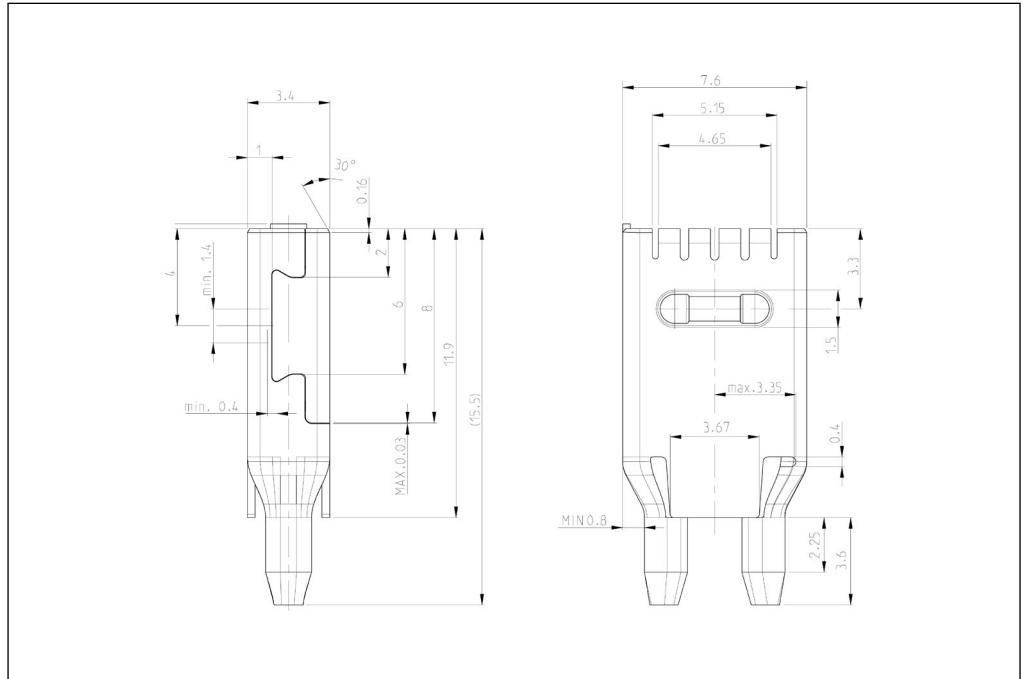


6.3 Cross Contact for Stamped Circuit 0.8

Part Numbers		Stamped Circuit Thickness (mm)	Plating	Packaging
Root PN	Component PN			
	2-968048-1		Tin	
968048	2-968048-2	0.8	Tin-Silver	Reel
	968048-1		Tin	



PCB 6.3 Terminal SN



Technical Features

Application / Function

Fuse or Relay

Contact Material

CuNiSi/Sn

Plating

Tin-Silver

Termination Method

Through Hole

PCB Hole Dimension

Ø 1.8 mm

Product Drawing

1719102

Product Specification

108-94129

Application Specification

114-18910

PCB 6.3 Terminal SN

Part Numbers		Plating	Packaging
Root PN	Component PN		
1719102	1719102-1	Tin-Silver	Palet
	1-1719102-1		Reel

2.4



Technical Features

Application / Function

Fuse or Relay

Contact Material

CuNiSi

Plating

Tin / Tin-Silver

Termination Method

Through Hole

Stamped Circuit Thickness

0.8 mm

Mating Tab Dimensions

9.5 x 1.2 mm

Product Drawing

1823667

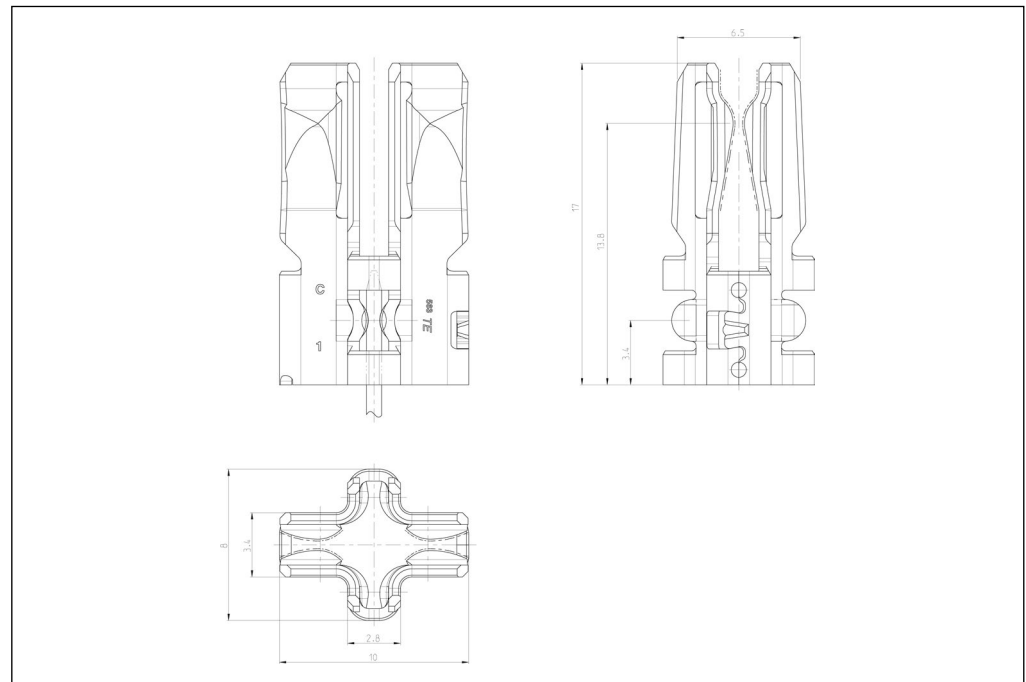
Product Specification

108-94188

Application Specification

114-94202

9.5 Cross Contact for Stamped Circuit

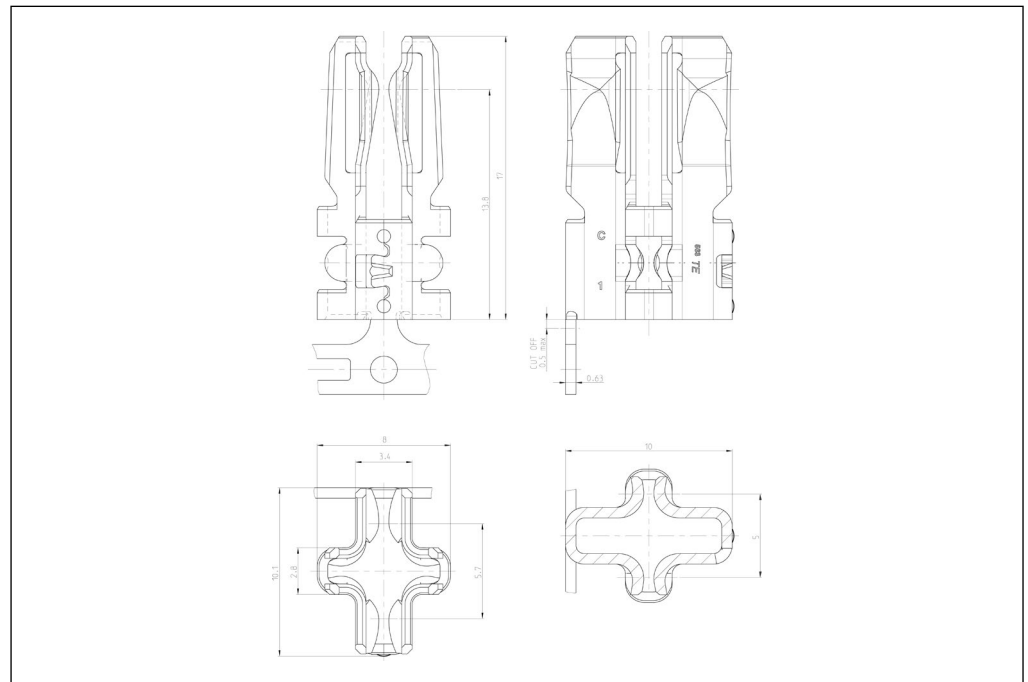


9.5 Cross Contact for Stamped Circuit

Part Numbers		Stamped Circuit Thickness (mm)	Plating	Packaging
Root PN	Component PN			
	2-968910-1		Tin	
968910	2-968910-2	0.8	Tin-Silver	Reel
	968910-1		Tin	



9.5 Cross Contact for Stamped Circuit 0.8



Technical Features

Application / Function

Fuse or Relay

Contact Material

CuNiSi

Plating

Tin

Termination Method

Through Hole

Stamped Circuit Thickness

0.8 mm

Mating Tab Dimensions

9.5 x 0.8 mm

Product Drawing

1823667

Product Specification

108-94188

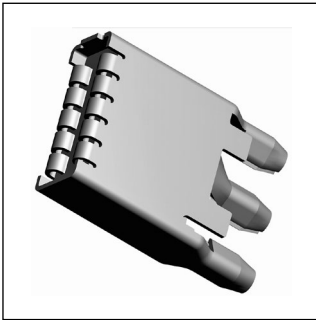
Application Specification

114-94202

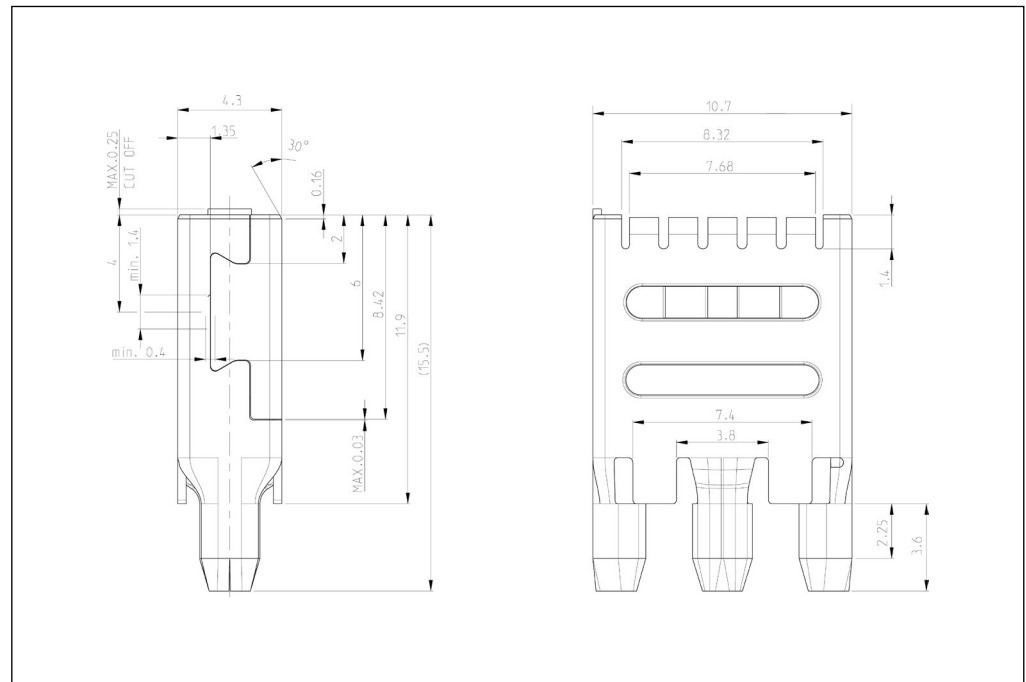
9.5 Cross-Contact for Stamped Circuit 0.8

Part Numbers		Stamped Circuit Thickness (mm)	Plating	Packaging
Root PN	Component PN			
1670001	1670001-1	0.8	Tin	Reel

2.4



9.5 Cross Contact for Stamped Circuit



Technical Features

Application / Function

Fuse or Relay

Contact Material

CuNiSi/Sn

Plating

Tin-Silver

Termination Method

Through Hole

PCB Hole Dimension

Ø 2.35 mm

Product Drawing

1719101

Product Specification

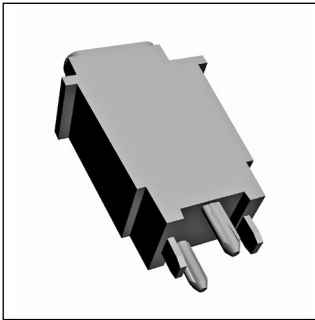
108-94308

Application Specification

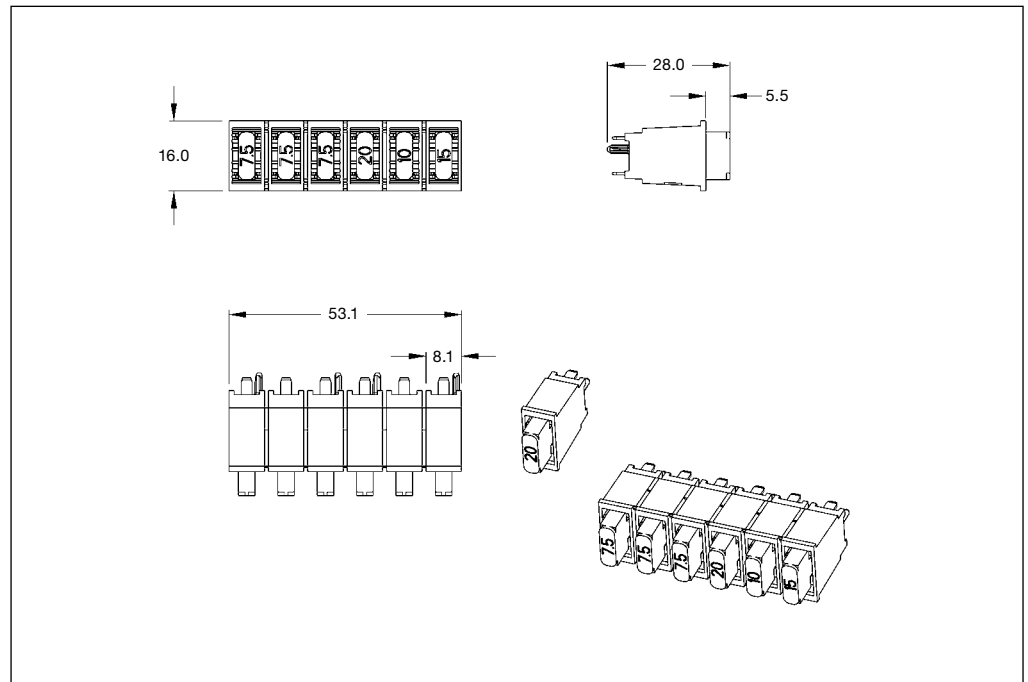
114-18910

9.5 Cross Contact for Stamped Circuit

Part Numbers		Dimension (mm)	Plating	Packaging
Root PN	Component PN			
1719101	1719101-1	9.5 x 1.2	Tin-Silver	Palet
	1-1719101-1			



Module Miniature Fuse



Technical Features

Application / Function

Fuse

Contact Material

CuFe 2P

Plating

Tin

Termination Method

Through Hole

PCB Tab Hole Dimension

3.7 x 1.2 mm

Product Drawing

1544548

Product Specification

./.

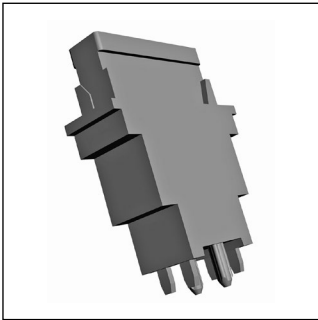
Application Specification

107-15514

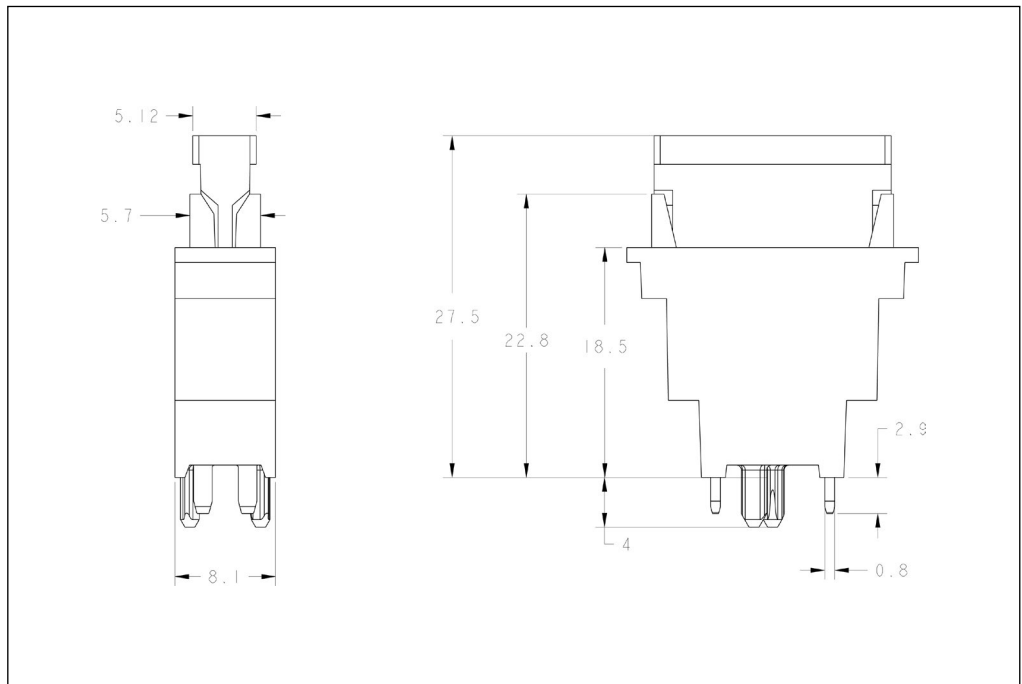
Module Miniature Fuse

Part Numbers		Dimensions (mm)				Plating	Packaging
Root PN	Component PN	X	Y	Z	P		
	1544548-1						
	1544548-2	8.1	16	28	–		
	1544548-3						
1544548	1544548-4					Tin	Box
	1544548-5	17.1	16	28	9.0		
	1544548-6						
	1544548-8	35.1	16	28	27		
	1544548-9	17.1	16	28	9.0		

2.5



Module Medium Fuse



Technical Features

Application / Function

Fuse

Contact Material

CuFe 2P

Plating

Tin

Termination Method

Through Hole

PCB Tab Hole Dimension

2.6 x 1.2 mm

Product Drawing

1544550

Product Specification

./.

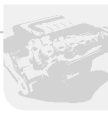
Application Specification

./.

Module Medium Fuse

Part Numbers		Dimensions (mm)				Plating	Packaging
Root PN	Component PN	X	Y	Z	P		
	1544550-1	8.1			-		
	1544550-2	8.1			-		
	1544550-3	44.1			36		
1544550	1544550-4	26.1	23.5	31.5	18	Tin	Box
	1544550-5	35.1			27		
	1544550-8	26.1			-		
	1544550-9	35.1			-		

POWERTRAIN SYSTEMS



SAFETY & SECURITY SYSTEMS



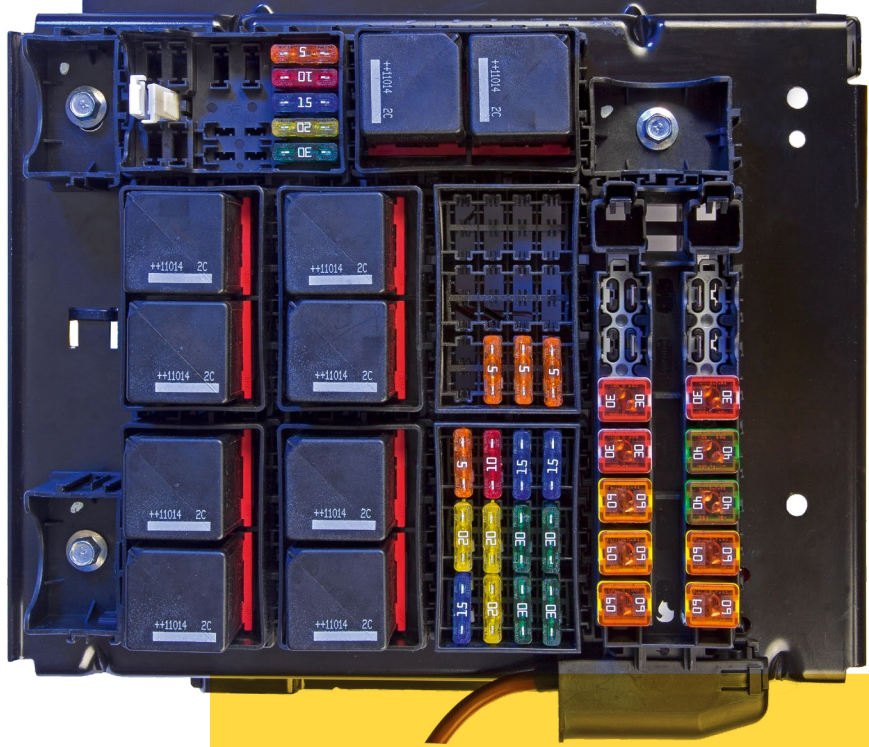
CONVENIENCE



DRIVER INFORMATION



BODY & CHASSIS SYSTEMS



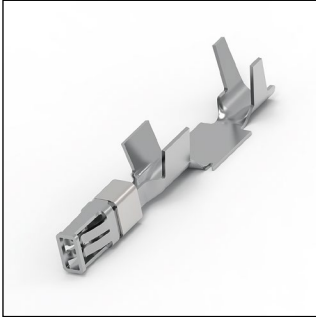
MFINITY Terminals

INTRODUCTION

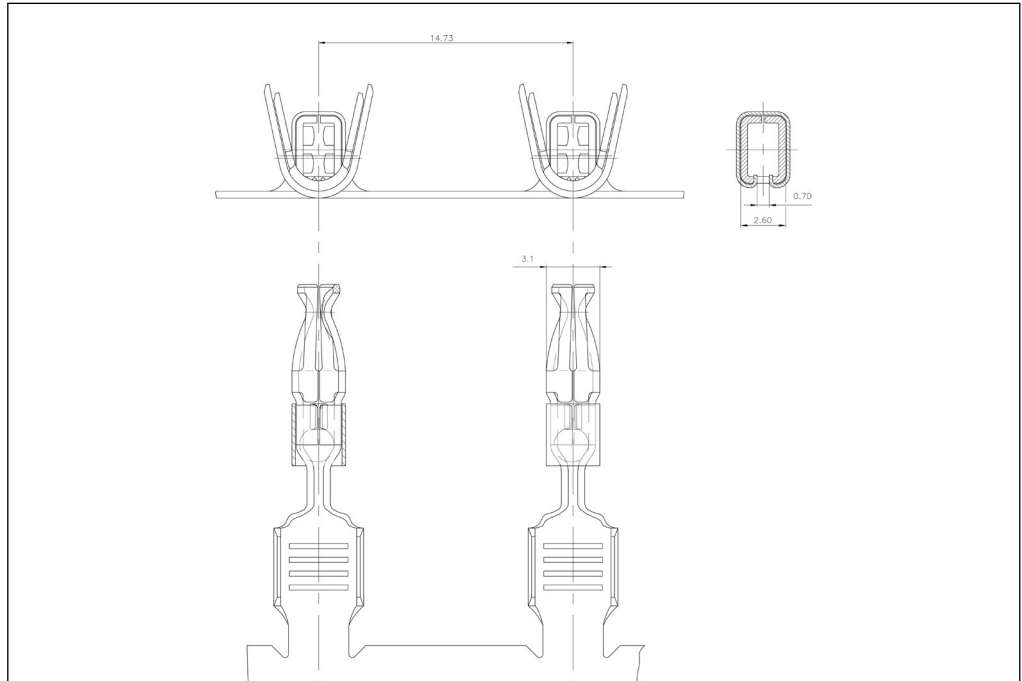
Our 50-plus years of experience in automotive connectivity supports our broad portfolio of terminals and connectors that help customers solve the evolving challenges of automotive applications.

This chapter highlights suitable terminals to use with our MFINITY modular fuse and relay box product family.

Please contact your TE sales representative for further information.



AMP MCP 2.8 Busbar



Technical Features

Application / Function

Fuse or Relay

Contact Material

CuNiSi

Plating

Tin

Wire Size Range

4 – 6 mm²

Product Drawing

1719458

Product Specification

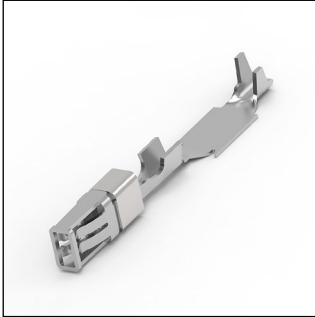
108-18513

Application Specification

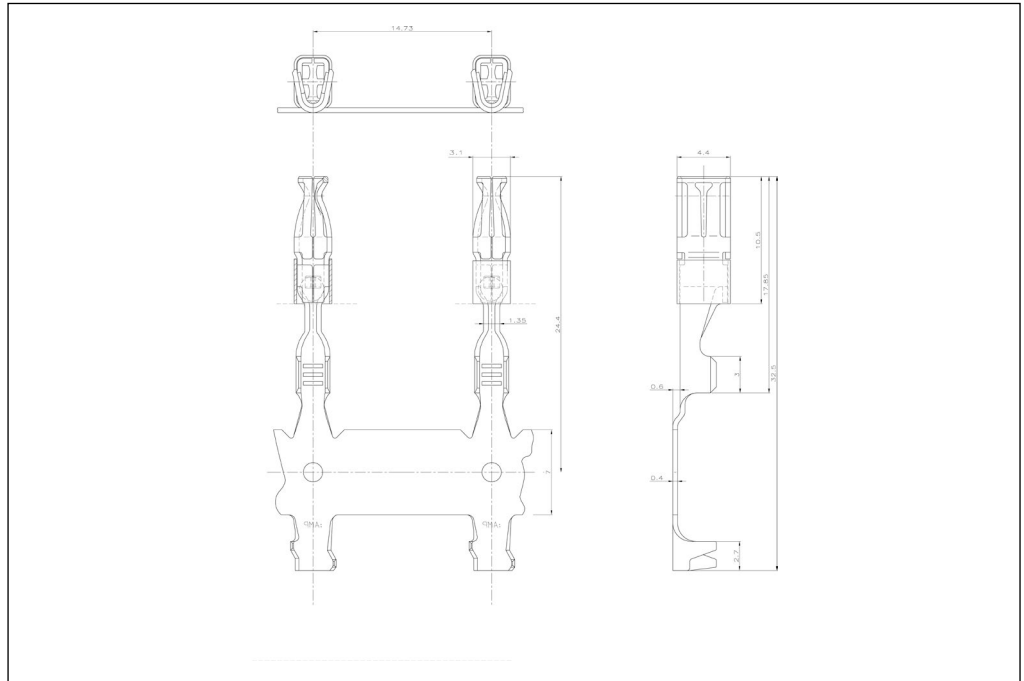
114-18148

AMP MCP 2.8 Busbar

Part Numbers		Wire Size Range (mm ²)	Plating	Packaging
Root PN	Component PN			
1355844	1-1355844-1	4 – 6	Tin	Reel



AMP MCP 2.8 Shortened Busbar



Technical Features

Application / Function

Fuse

Contact Material

CuNiSi

Plating

Tin

Wire Size Range

0.5 – 1 mm²

Product Drawing

1355847

Product Specification

./.

Application Specification

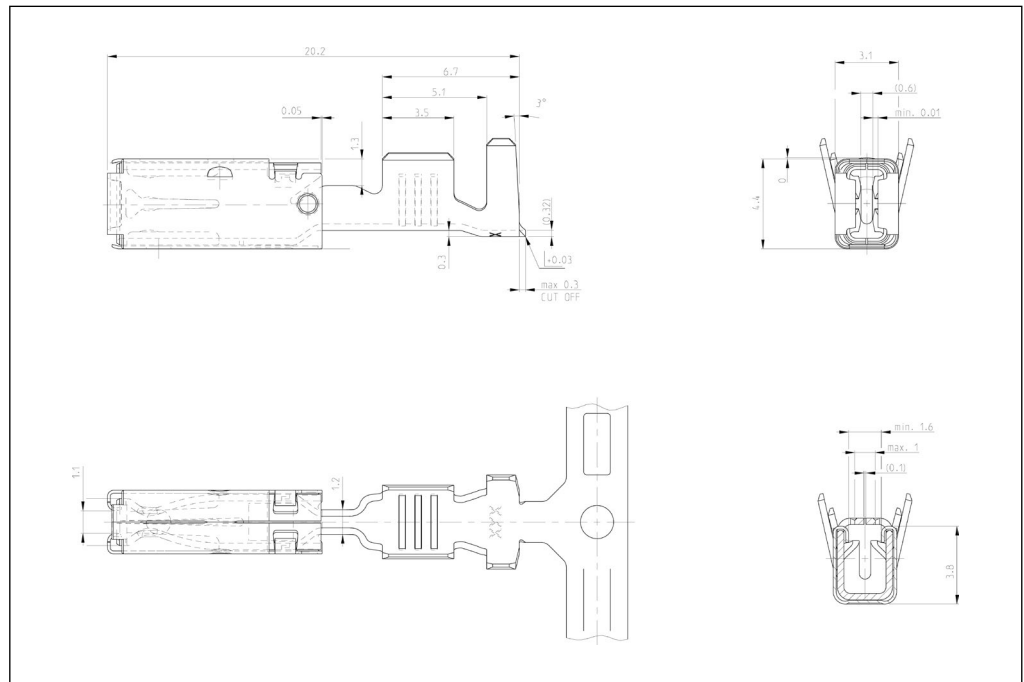
./.

AMP MCP 2.8 Shortened Busbar

Part Numbers		Wire Size Range (mm ²)	Plating	Packaging
Root PN	Component PN			
1355847	1-1355847-1	0.5 – 1	Tin	Reel



AMP MCP 2.8 Contact – Lanceless



Technical Features

Application / Function

Fuse

Contact Material

CuNiSi

Plating

Tin

Wire Size Range

1 – 2.5 mm²

Product Drawing

1719458

Product Specification

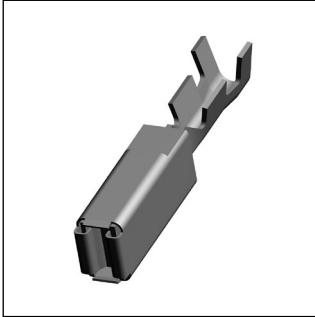
108-18513

Application Specification

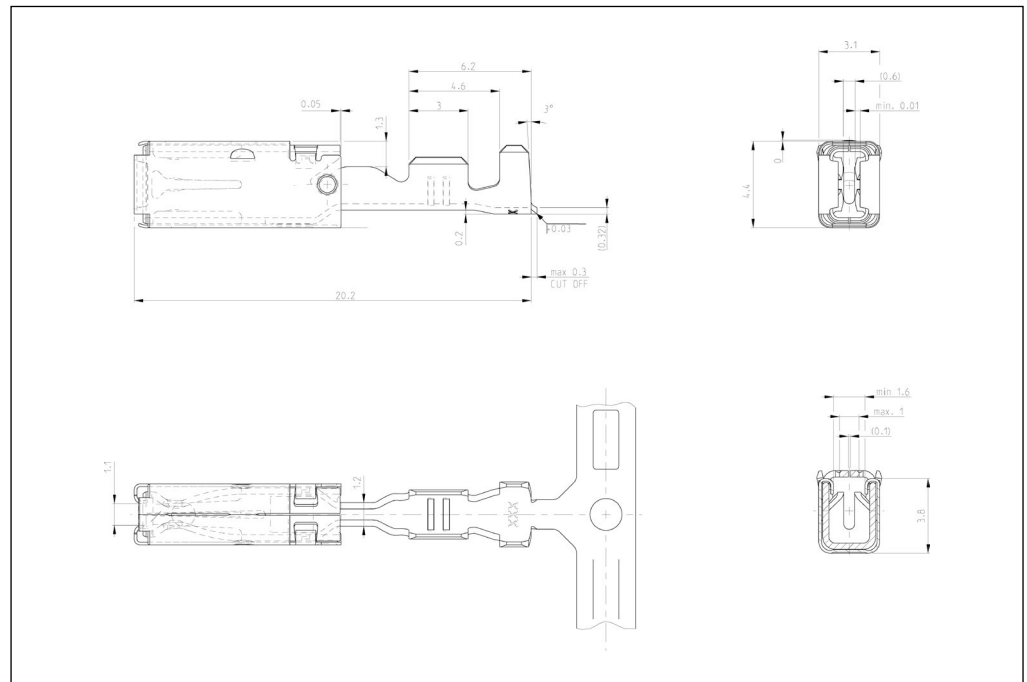
114-18148

AMP MCP 2.8 Contact - Lanceless

Part Numbers		Wire Size Range (mm ²)	Plating	Packaging
Root PN	Component PN			
1355877	1-1355877-1	1 – 2.5	Tin	Reel



AMP MCP 2.8 Contact – Lanceless



Technical Features

Application / Function

Fuse

Contact Material

CuNiSi

Plating

Tin

Wire Size Range

0.5 – 1 mm²

Product Drawing

1719458

Product Specification

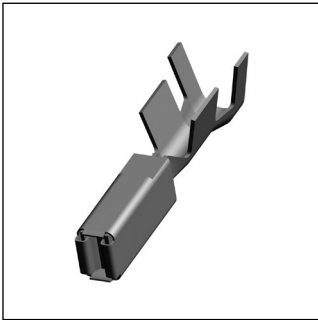
108-18513

Application Specification

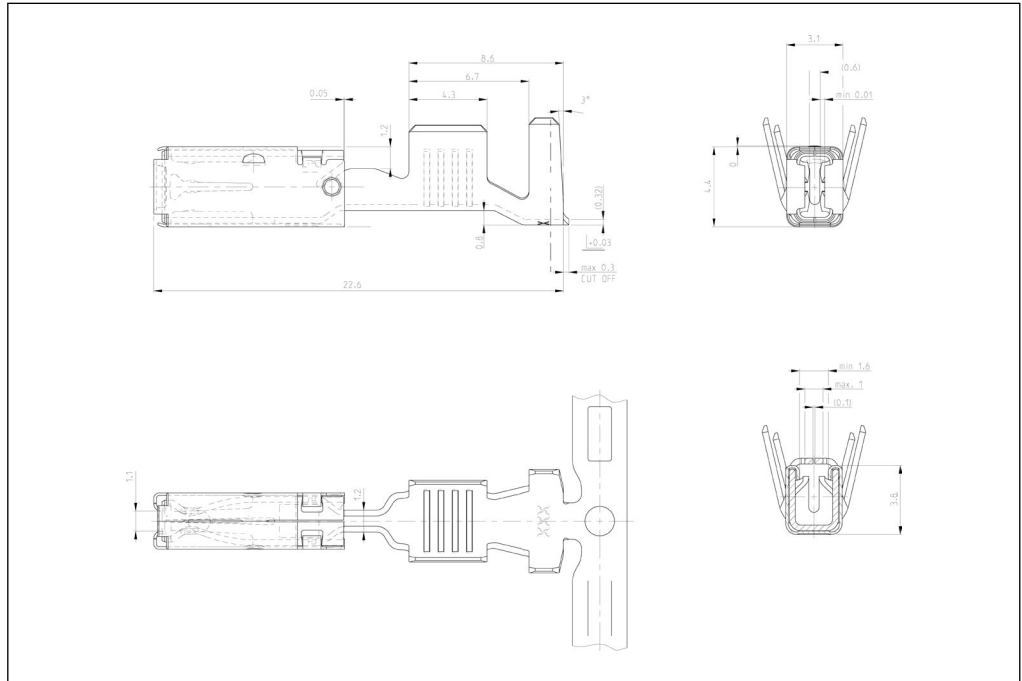
114-18148

AMP MCP 2.8 Contact - Lanceless

Part Numbers		Wire Size Range (mm ²)	Plating	Packaging
Root PN	Component PN			
1355833	1-1355833-1	0.5 – 1	Tin	Reel



AMP MCP 2.8 Contact – Lanceless



Technical Features

Application / Function

Fuse

Contact Material

CuNiSi

Plating

Tin

Wire Size Range

4 mm²

Product Drawing

1719458

Product Specification

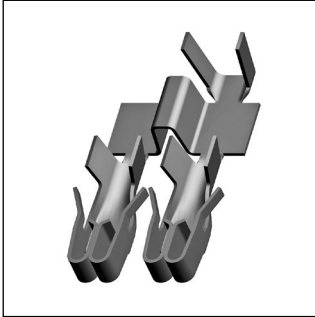
108-18513

Application Specification

114-18148

AMP MCP 2.8 Contact - Lanceless

Part Numbers		Wire Size Range (mm ²)	Plating	Packaging
Root PN	Component PN			
1355880	1-1355880-1	4	Tin	Reel



Fuse Contact Busbar

Technical Features

Application / Function

Fuse

Contact Material

CuZn

Plating

Tin

Wire Size Range

4 – 6 mm²

Product Drawing

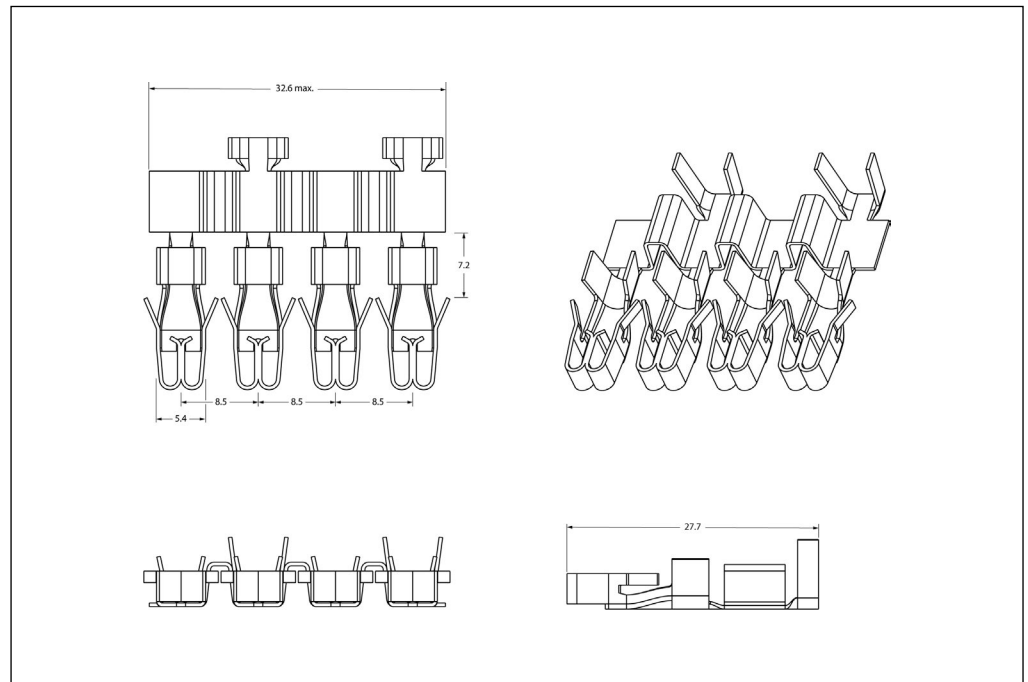
881572

Product Specification

108-37011

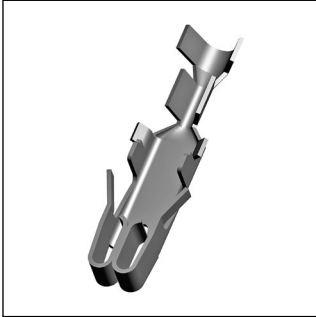
Application Specification

114-37000

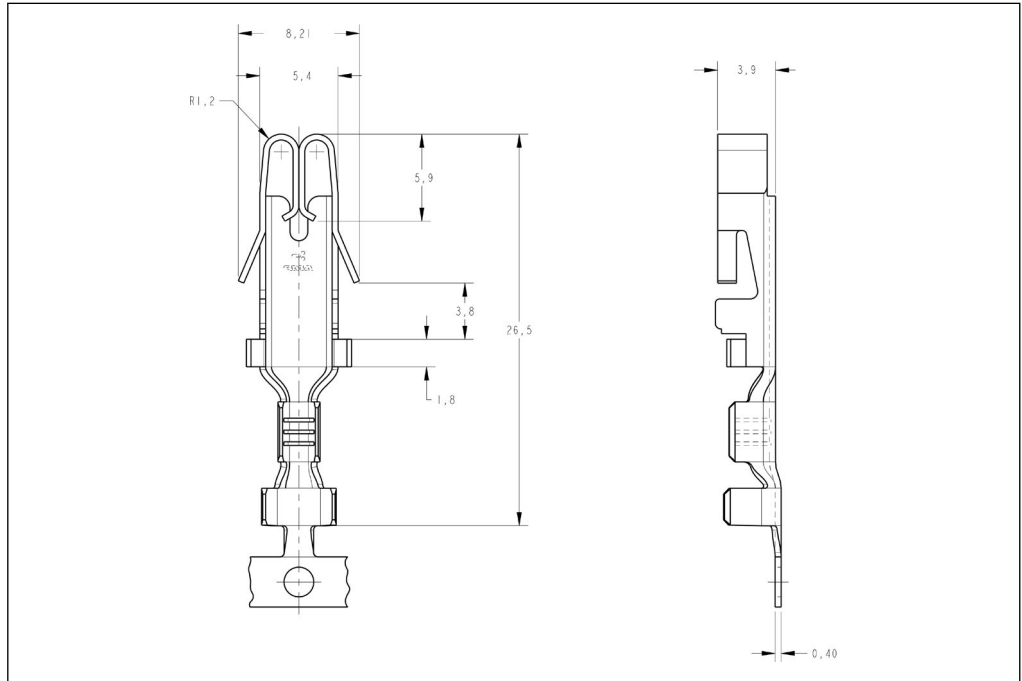


Fuse Contact Busbar

Part Numbers		Wire Size Range (mm ²)	Plating	Packaging
Root PN	Component PN			
881572	881572-3	4 – 6	Tin	Reel



Fuse Contact



Technical Features

Application / Function

Fuse

Contact Material

CuZn

Plating

Tin

Wire Size Range

0.5 – 1.5 mm²

Product Drawing

880397

Product Specification

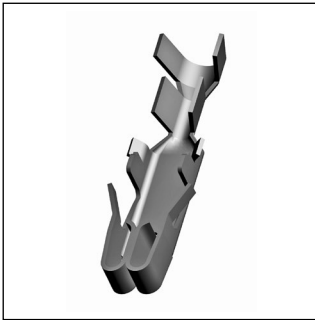
108-37011

Application Specification

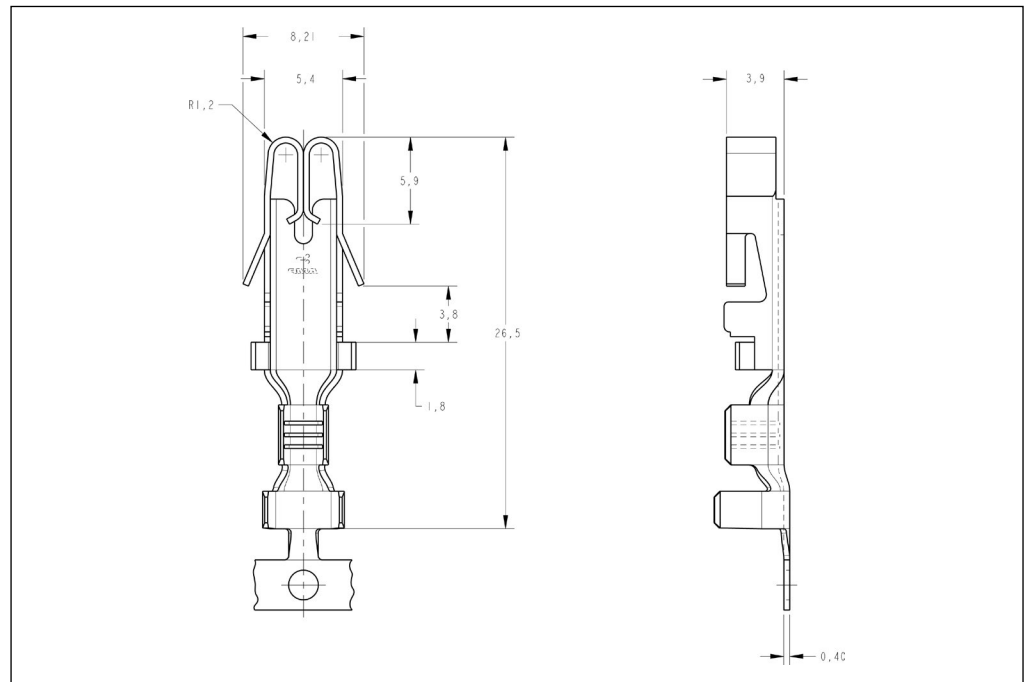
114-37000

Fuse Contact

Part Numbers		Wire Size Range (mm ²)	Plating	Packaging
Root PN	Component PN			
880397	880397-2	0.5 – 1.5	Tin	Reel



Fuse Contact



Technical Features

Application / Function

Fuse

Contact Material

CuZn

Plating

Tin

Wire Size Range

1 – 2.5 mm²

Product Drawing

880398

Product Specification

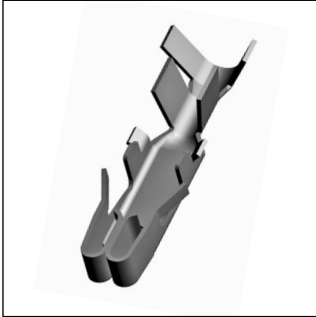
108-37011

Application Specification

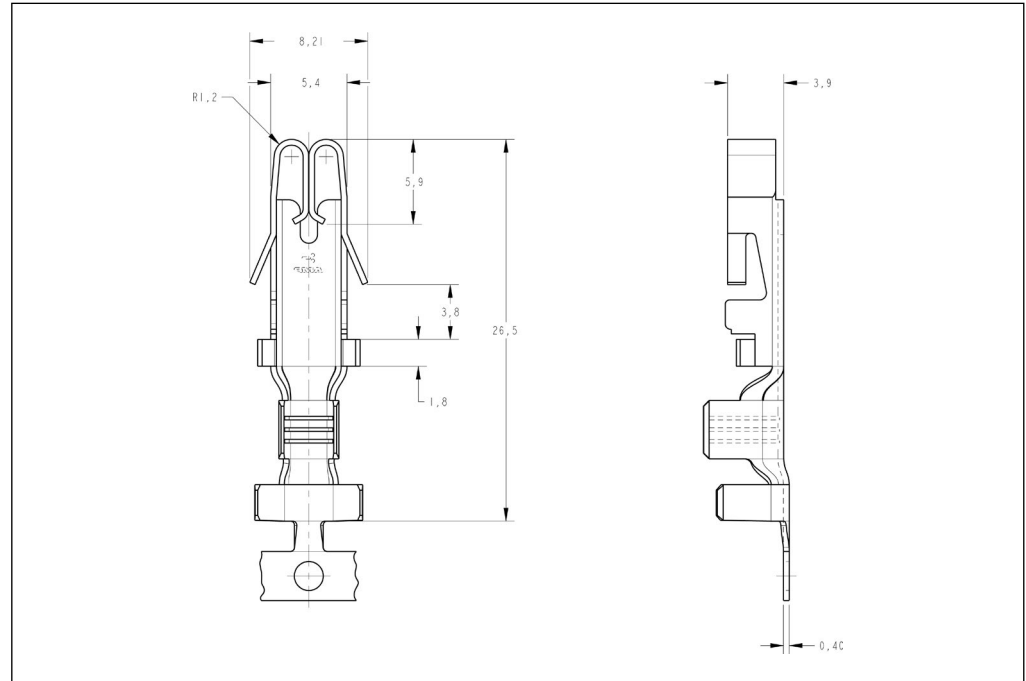
114-37000

Fuse Contact

Part Numbers		Wire Size Range (mm ²)	Plating	Packaging
Root PN	Component PN			
880398	880398-1	1 – 2.5	Tin	Reel
	880398-2			



Fuse Contact



Technical Features

Application / Function

Fuse

Contact Material

CuZn

Plating

Tin

Wire Size Range

2.5 – 6 mm²

Product Drawing

880399

Product Specification

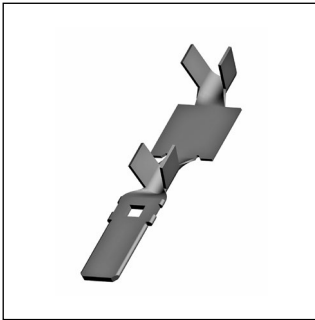
108-37011

Application Specification

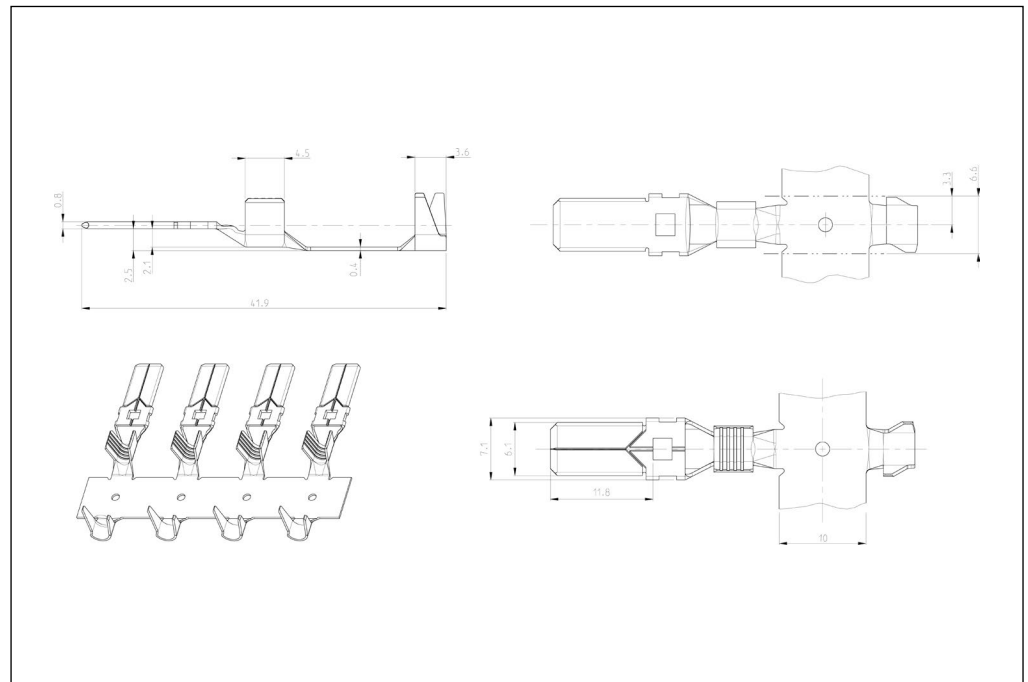
114-37000

Fuse Contact

Part Numbers		Wire Size Range (mm ²)	Plating	Packaging
Root PN	Component PN			
880399	880399-2	2.5 – 6	Tin	Reel



Tab 6.3 x 0.8 Body Busbar



Technical Features

Application / Function

Fuse

Contact Material

CuZn

Plating

Tin

Wire Size Range

4 – 6 mm²

Product Drawing

1670225

Product Specification

./.

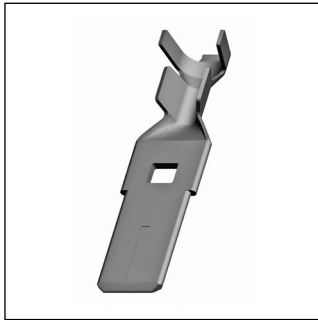
Application Specification

./.

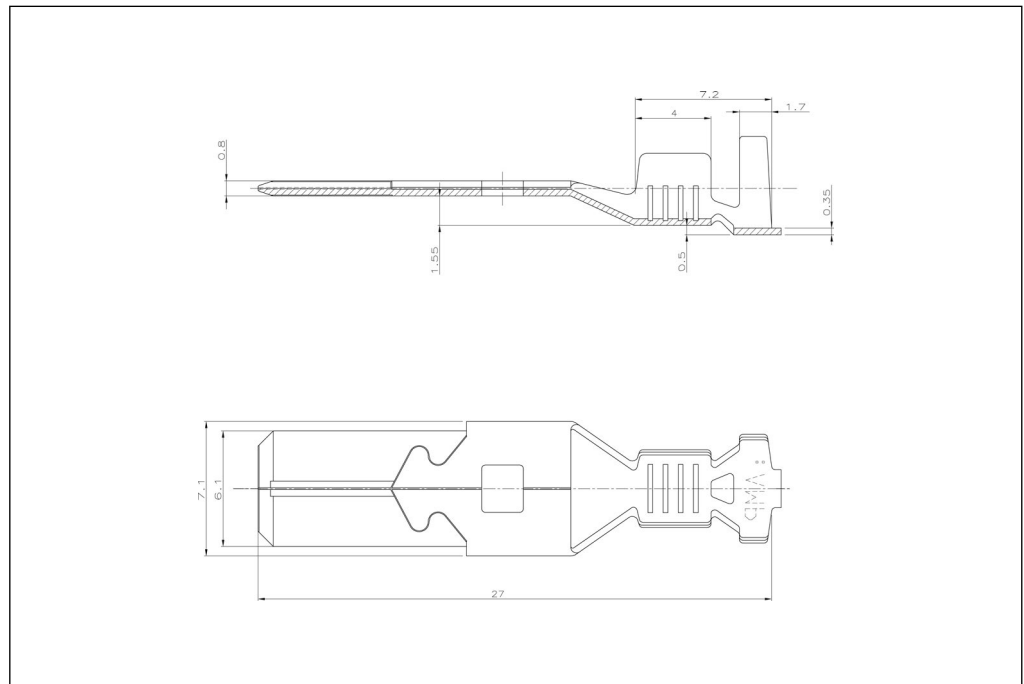
Tab 6.3 x 0.8 Body Busbar

Part Numbers		Wire Size Range (mm ²)	Plating	Packaging
Root PN	Component PN			
1670225	1670225-1	4 – 6	Tin	Reel

3.3



Tab Contact 6.3 mm



Technical Features

Application / Function

Fuse

Contact Material

CuSn4

Plating

Tin

Wire Size Range

1.5 – 2.5 mm²

Product Drawing

963754

Product Specification

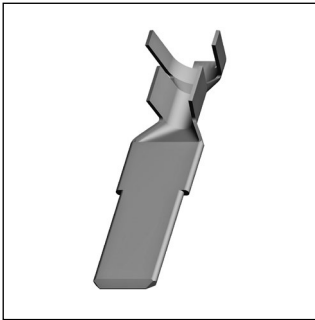
./.

Application Specification

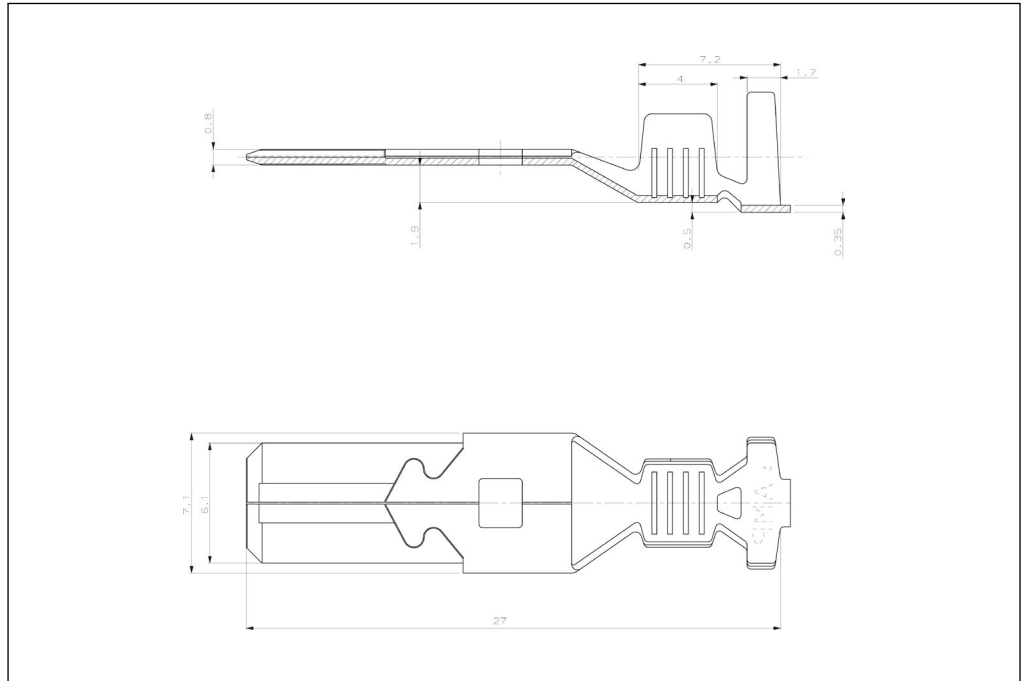
./.

Tab Contact 6.3 mm

Part Numbers		Wire Size Range (mm ²)	Plating	Packaging
Root PN	Component PN			
963754	963754-1	1.5 – 2.5	Tin	Reel



Tab Contact 6.3 mm



Technical Features

Application / Function

Fuse

Contact Material

CuSn4

Plating

Tin

Wire Size Range

2.5 – 4 mm²

Product Drawing

963755

Product Specification

./.

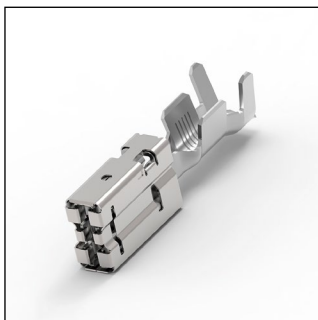
Application Specification

./.

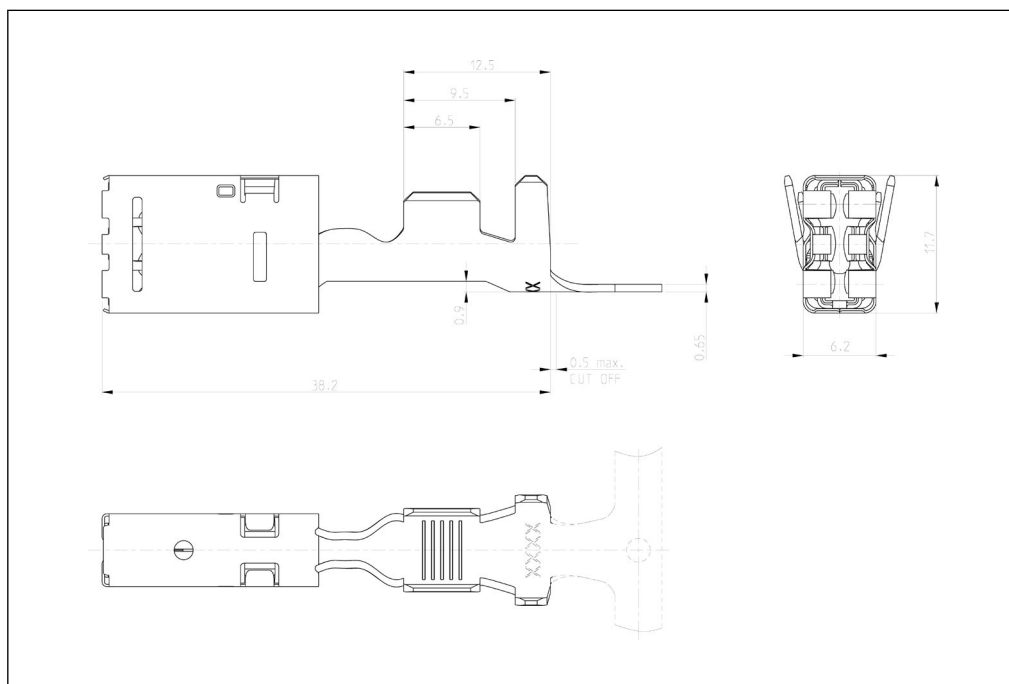
Tab Contact 6.3 mm

Part Numbers		Wire Size Range (mm ²)	Plating	Packaging
Root PN	Component PN			
963755	963755-1	2.5 – 4	Tin	Reel

3.4



AMP MCP 9.5 Contact – Lanceless



Technical Features

Application / Function

Relay

Contact Material

CuNiSi

Plating

Tin

Wire Size Range

6 – 10 mm²

Product Drawing

1355849

Product Specification

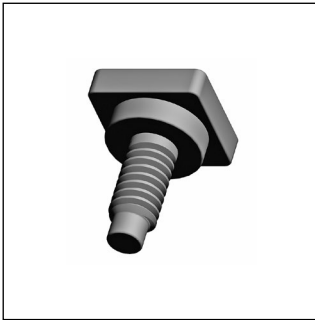
108-18630

Application Specification

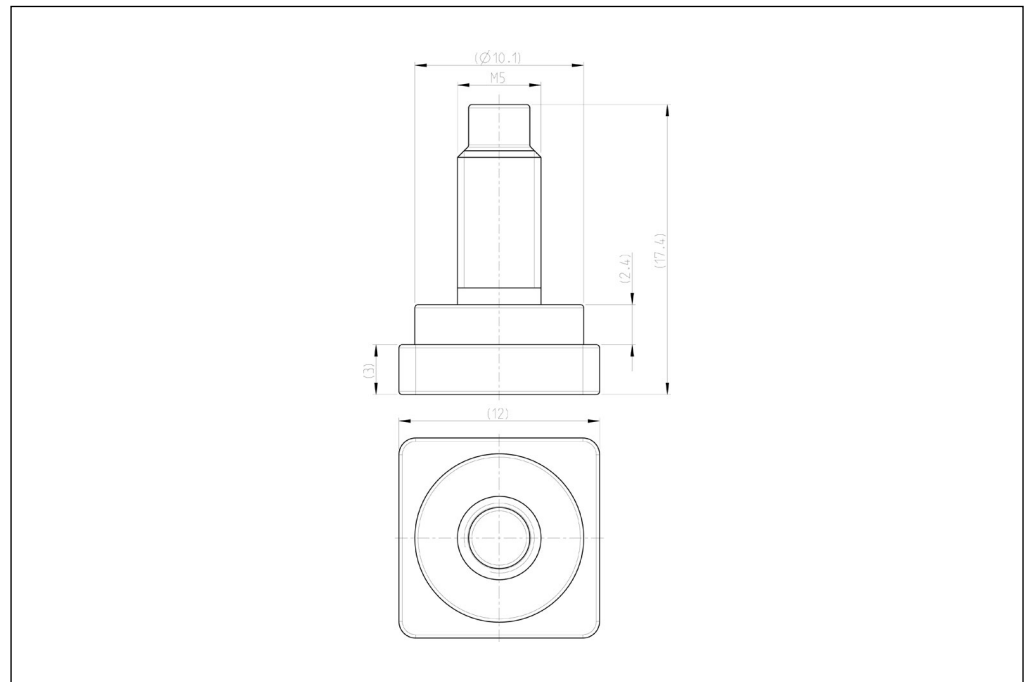
114-18269

AMP MCP 9.5 Contact – Lanceless

Part Numbers		Wire Size Range (mm ²)	Plating	Packaging
Root PN	Component PN			
1355849	1-1355849-1	6 – 10	Tin	Reel



Bolt M5 with Square Head



Technical Features

Application / Function

Fuse

Contact Material

Steel

Plating

Zinc

Wire Size Range

2.5 – 4 mm²

Product Drawing

./.

Product Specification

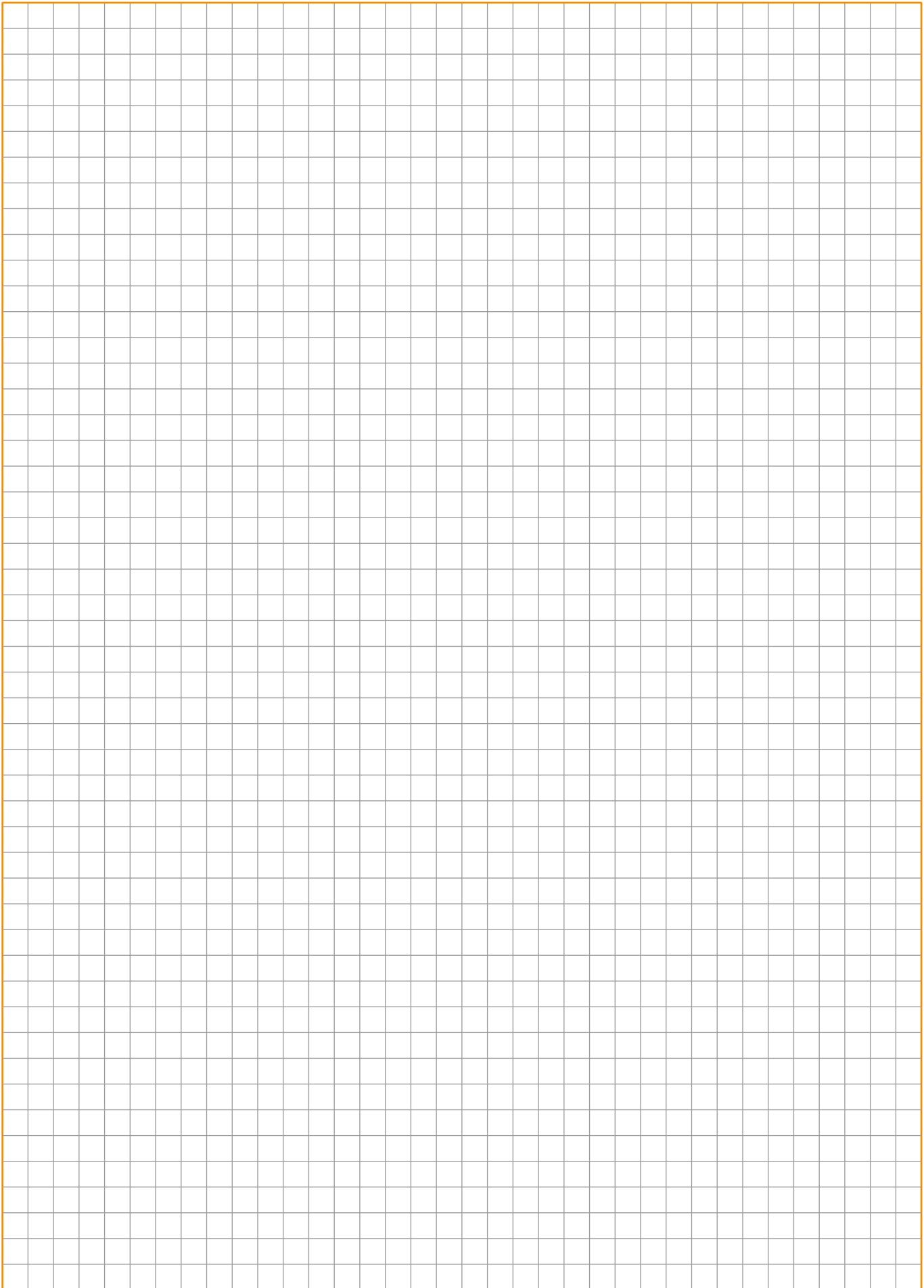
./.

Application Specification

./.

Bolt M5 with Square Head

Part Numbers		Wire Size Range (mm ²)	Plating	Packaging
Root PN	Component PN			
1534968	1534968-2		Zinc	Box



POWERTRAIN SYSTEMS



SAFETY & SECURITY SYSTEMS



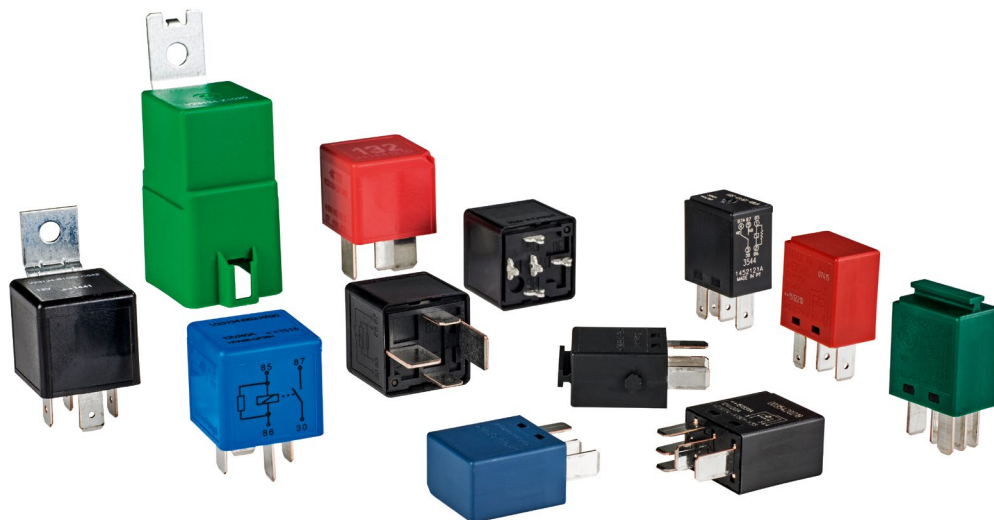
CONVENIENCE



DRIVER INFORMATION



BODY & CHASSIS SYSTEMS



24 V Plug-in Relays

INTRODUCTION

In addition to the holder devices TE provides high-performing ISO plug-in relays suitable for 12 V, 24 V and 48 V power supply systems. Plug-in relays are available in make, change-over, double make and bridging make contact arrangements.

For the holder devices featured in this catalog the following micro, mini and maxi ISO relay product families for 24 V systems are suited:

Products

- Micro Relay A
- Power Relay B
- Power Relay F7

Applications

Cross carline for all electromechanical functions. Please contact TE Application Engineering for specific support.

Features

- High performance ISO plug-in relays for 24V systems
- Make and changeover contact arrangements (special arrangements on request)
- Serial and parallel components
- Standard covers and covers with brackets

More information online

<http://relays.te.com/> >> [Automotive, Truck, Bus and Off-Road Relays](#)

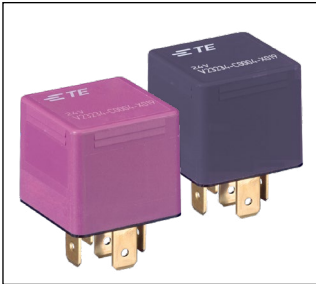
- Fast, reliable and up-to-date information right to the point.
- Online product catalog with empowered relay findability by categories: High Current, High Voltage, PCB and Plug-In including relay modules and sockets.
- Technical documentation for all existing product families, product flyers, white papers and videos for new products.



Micro ISO, Micro Relay A (24 V)

Arrangement	Cover	Coil. Suppr.	Part Number	
Micro Make (NO)	Standard	Diode	V23074-A2002-A402	6-1393292-2
		Resistor (1800 Ω)	V23074-A1002-A402	8-1393292-9
Micro Changeover (CO)	Standard	Diode	V23074-A2002-A403	6-1393292-3
		Resistor (1800 Ω)	V23074-A1002-A403	3-1393292-8

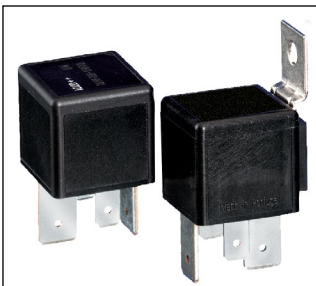
For detailed information find our data sheets under <http://relays.te.com/telectronics.asp>



Mini ISO, Power Relay B (24 V)

Arrangement	Cover	Coil. Suppr.	Part Number	
Micro Changeover (CO)	Standard	N/A	V23234-A0004-X055	2-1904025-6
		Diode (cathode 86)	V23234-A0004-X051	2-1904025-3
	Bracket	Resistor (1400 Ω)	V23234-A0004-X053	2-1904025-5
		N/A	V23234-A1004-X050	1-1904027-1
Mini Make (NO – 2x87)	Standard	Resistor (1400 Ω)	V23234-C0004-X020	1-1904015-3
		N/A	V23234-C0004-X018	2-1904015-1
	Bracket	N/A	V23234-C1004-X017	5-1904014-1
		Resistor (1400 Ω)	V23234-C1004-X085	0-1904015-5

For detailed information find our data sheets under <http://relays.te.com/telectronics.asp>



Maxi ISO Power Relay F7 (24 V)

Arrangement	Cover	Coil. Suppr.	Part Number	
Maxi Make (NO)	Standard	N/A	V23134-J0053-D642	9-1393303-7
		Resistor (1200 Ω)	V23134-J0165-X537	3-1904117-4
	Bracket	N/A	V23134-J1053-D642	1-1393304-1
		Resistor (1200 Ω)	V23134-J2165-X538	3-1904117-5

For detailed information find our data sheets under <http://relays.te.com/telectronics.asp>



Application Tooling Equipment

FOR AUTOMOTIVE POWER DISTRIBUTION

High Quality. High Reliability. High Volume. TE Application Tooling provides a high-quality solution for high-volume production within the automotive industry.

Equipment is segregated into two types and managed accordingly:

Generic equipment

Where we can supply you with sufficient information referenced by part number such that you can identify and order what you need yourself.

Specialised Equipment

Where you will need help from our specialist product managers to identify what's just right for your application.

Finding Equipment Online

tooling.te.com

- Powerful searches to find generic equipment options (Hand Tools / Applicators)
- Brochures and more detailed flyers for the specialised equipment.
- It's quick, easy and more importantly the latest and most up to date information is available online.

Regional Assistance

www.te.com/support-center

C300 Connector Seating Machine

Designed to match your requirements

The highly versatile design of the C300 is able to process any manufacturer's connectors and can accommodate a board capacity up to 420 x 360 mm [16.53 x 14.17"].

For additional flexibility, the connectors can be presented in tubes, trays, blister belts (tapes) or out of a bowl feeder. For further customization the C300 offers a range of additional options to meet specific application requirements.

Complete control

To provide repeatable performance, a PC-based unit with a touch screen user interface controls and monitors the entire system throughout the production cycle. A standard insertion force

Fully automatic machine for seating press fit connection systems.

monitoring system, also available as force-distance monitoring, allows the verification of every component applied for quality assurance. Additional control features include:

- A vision system for automatic board error correction
- Active anvil for PCB support, insertion verification and force monitoring
- PCB bar code scanner for automatic selection of insertion program including press profile
- Component bar code scanner for component verification
- Connection to traceability systems

Easy operation

The C300 connector seating machine is a fully automatic machine for seating press-fit connectors onto a printed circuit board (PCB) or panel. Available in either a standalone unit or integrated into a SMEMA compatible production line, the C300 machine can increase throughput by lowering cycle times and the scrap associated with human application errors.

Built for speed

Designed with speed in mind, the C300 was engineered with several performance features. With the ability to accommodate up to two press heads per machine, the C300 has a cycle time of approximately 3 seconds per connector, and, PCB loading/unloading takes only 4 seconds.

Quick change grippers are available to minimize changeover time. Free programmable rotary insertion tooling allows the application of components at different angles without a reduction in throughput.

Strength in numbers

The C300 is just one member of a robust family of Press Fit Machines designed to deliver maximum performance and the highest quality for our customers. Their fast, reliable and user friendly designs can handle a wide variety of applications and production volumes.

For more information on our complete line of pin insertion and press-fit machines, please refer to our website www.te.com.

Waste not. Want not.

Whether it's time or scrap, in manufacturing everyone knows that waste costs money. With our on-site certification and consultation services, we can help you:

- Reduce downtime
- Reduce scrap
- Maintain connection quality
- Improve manufacturing efficiency

Specifications for P300 Base Machine

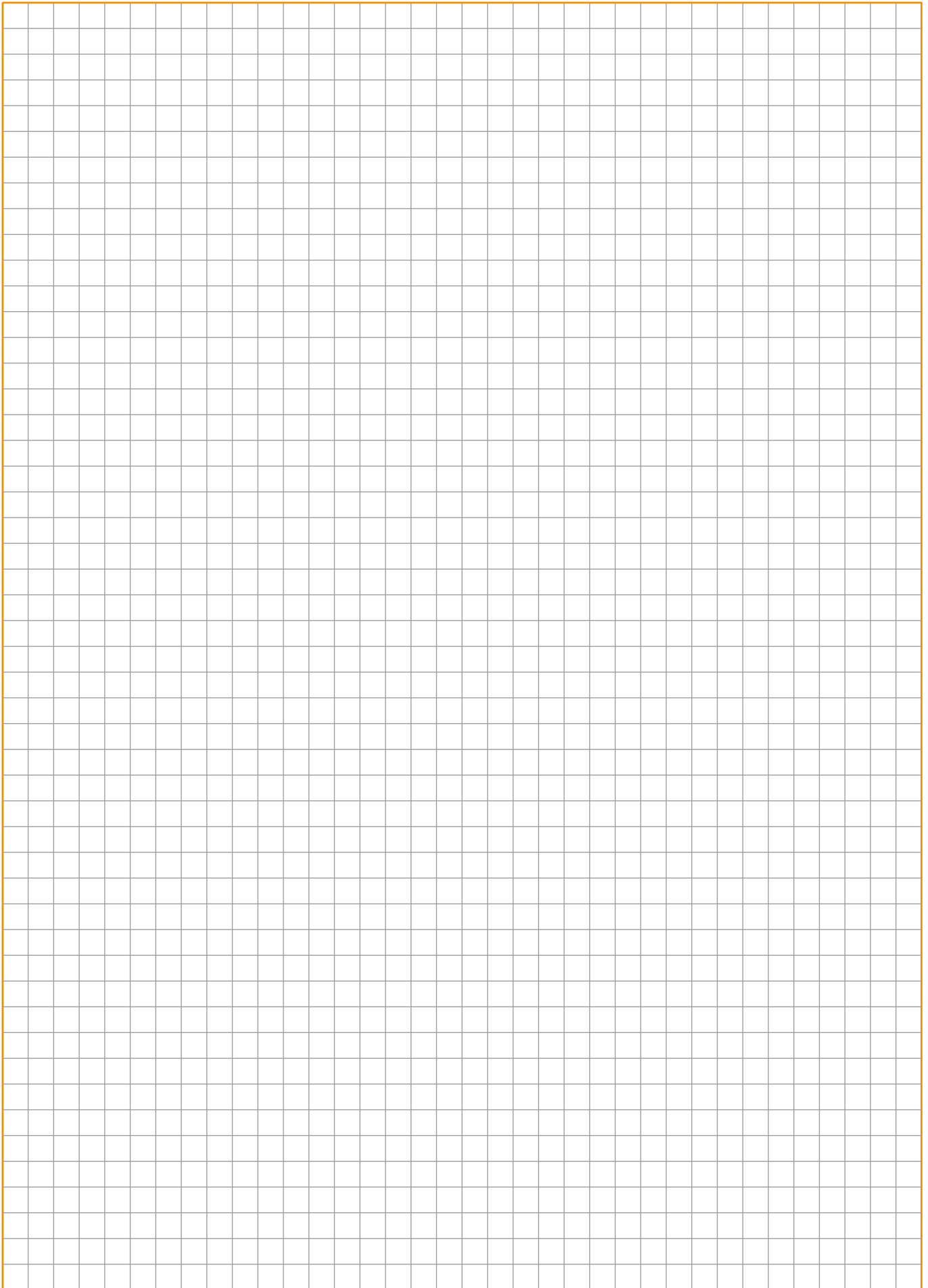
Board Capacity	400 x 600 mm [15.5 X 23.5"]
Loading	Manual, In-Line
Insertion Rate	4-6 secs per cycle
Anvil Drive	Servo
In-Line / Interface	Yes / SMEMA compliant
Force Monitoring / Documentation	Yes
Thickness Measuring	Yes
Vision System	Yes
Pin Presence Check	Yes
Bar-Code Scanner	Yes
ESD Proofed Guards	Yes
Modem for Remote Diagnostics	Yes
Reel Exchange during Production	

Insertion Tools

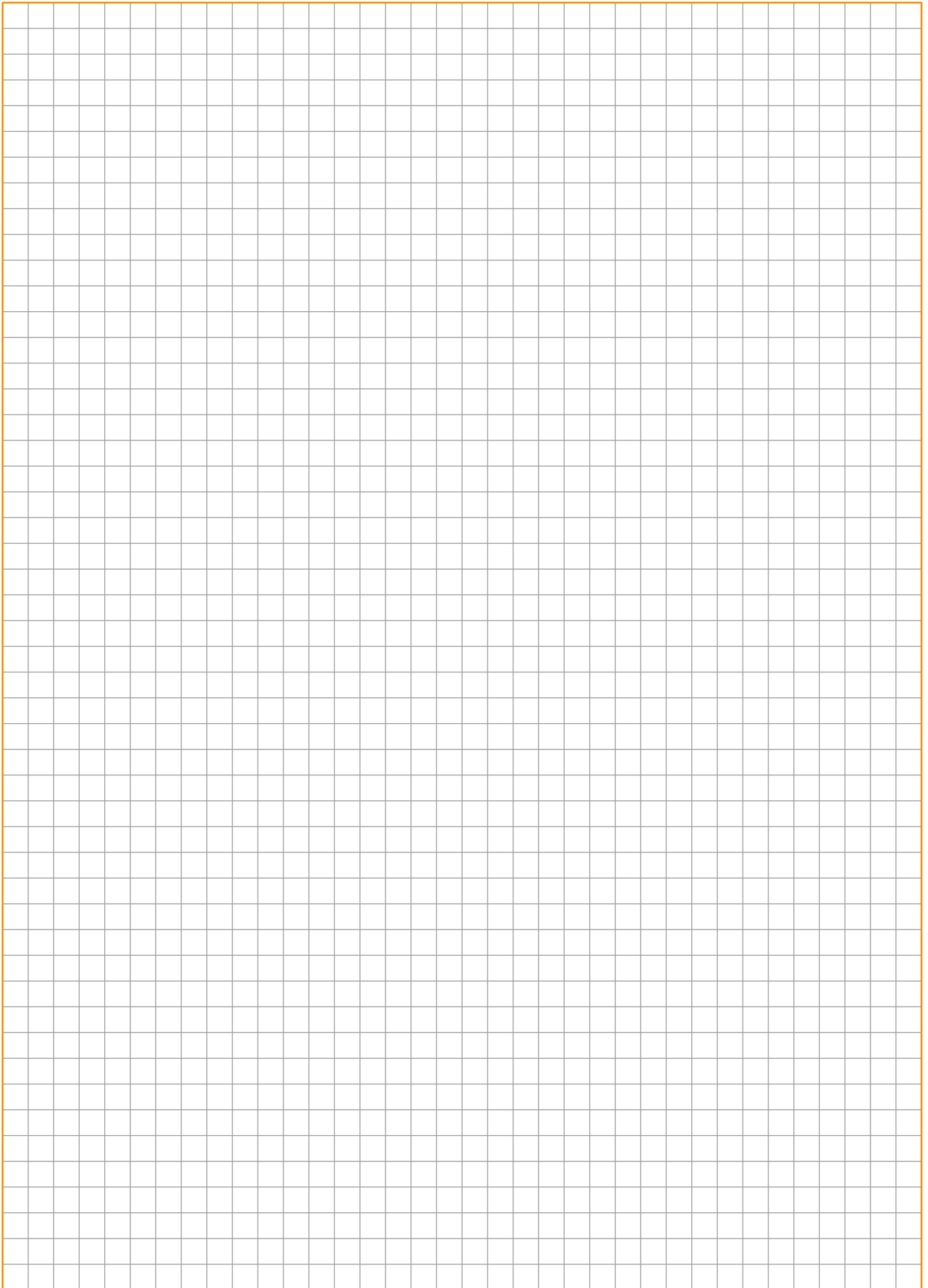
Number of Tools	Max 2
Insertion Tool Power	Servo Motor
Insertion Angles (free programmable)	Yes

Physical Dimensions

Height	70.5 in [1790 mm]
Width/Depth (including reel holders)	108.5 in [2754 mm]
Length	91 in [2310 mm] with conveyor
Length	57.5 in [1460 mm] without conveyor
Conveyor Belt Height (adjustable)	37.6 ± .6 in [955 mm ± 15mm]
Weight	approx. 3,520 lb [1600 kg]



Part Number	Page	Part Number	Page	Part Number	Page	Part Number	Page
1-1355833-1	13, 69	1544550-4	64	2-1379736-2	47		
1-1355844-1	13, 66	1544550-5	64	2-953615-1	28		
1-1355847-1	67	1544550-8	64	2-953615-2	28		
1-1355849-1	25, 78	1544550-9	64	2-968048-1	58		
1-1355877-1	13, 68	1544647-1	32	2-968048-2	58		
1-1355880-1	13, 70	154717-3	27, 28	2-968908-1	50		
1-1670483-1	53	154718-3	27	2-968908-2	50		
1-1719101-1	62	154718-3	28	2-968910-1	60		
1-1719102-1	59	160759-3	27, 28	2-968910-2	60		
1-1719103-1	52	1670001-1	61	2141022-1	22		
1-2141095-1	41	1670208-1	46	2141024-1	19		
1-953373-1	56	1670225-1	8, 9, 75	2141026-1	25		
1-953373-2	56	1670483-1	53	2141028-1	17		
1-953374-1	48	1718956-3	54	2141029-1	13		
1-953374-2	48	1718956-5	54	2141031-1	37		
1-953615-1	28	1719101-1	62	2141031-2	38		
1-953615-2	28	1719102-1	59	2141033-1	42		
1-968849-1	14	1719103-1	52	2141034-1	7		
1-968849-2	14	1801431-1	6, 15	2141039-1	43		
1-968849-3	14	1801432-1	6, 15	2141040-1	8		
1-968851-1	14	1801433-1	6, 15	2141040-2	9		
1-968851-2	14	1801567-1	14	2208342-1	22		
1-968851-3	14	1801614-3	31, 36	2208342-2	22		
1-968853-1	14	1801614-4	31, 36	2208343-1	19, 25		
1-968853-3	14	1801616-1	12	2208343-2	22		
1-968880-1	14	1801616-x	39	2208343-3	19		
1-968880-3	14	1801617-1	30	880397-2	17, 72		
1241978-2	6, 12, 21, 30, 31	1801618-1	21	880398-1	17, 73		
1379737-2	55	1801618-x	39, 40	880398-2	17, 73		
1379737-4	55	1801619-1	26	880399-2	74		
144431-1	20, 24	1801619-x	39, 40	881572-3	17, 71		
144432-1	20, 24	1801620-1	23	927831-2	6, 18, 20, 21, 23, 24, 26, 27, 30, 31		
144433-1	6, 18, 20, 21, 23, 24, 26, 27, 30, 31	1801620-x	39, 40	953615-1	27		
144434-1	18, 20, 24	1801627-2	15	953615-2	27		
144617-1	6, 18, 20, 21, 23, 24, 26, 27, 30, 31	1801627-3	15, 40	953615-2	27		
		1801627-x	39	953615-x	39, 40		
1534968-2	79	1801628-4	6	953615-x	40		
1544128-1	32, 33	1801628-5	6	953653-2	39		
1544129-1	32, 33	1801628-6	6	962928-1	16, 26		
1544266-1	33	1801628-x	39, 40	962928-1	28		
1544547-1	51	1801764-1	31	962930-1	16, 26, 28		
1544548-1	63	1801764-x	39	962932-1	16, 26, 28		
1544548-2	63	1801773-1	30	963754-1	76		
1544548-3	63	185283-1	27	963755-1	8, 9, 77		
1544548-4	63	185402-1	24, 39, 40	964280-2	6, 12, 21, 23, 30, 31		
1544548-5	63	185402-2	24, 39, 40	964284-2	6, 12, 21, 23, 30, 31		
1544548-6	63	185402-3	24, 39, 40				
1544548-8	63	185403-1	20, 39, 40	964595-1	16		
1544548-9	63	185403-2	20, 39, 40	965999-2	6, 12, 21, 30, 31		
1544549-1	49	185403-3	20, 39, 40				
1544550-1	64	185403-4	20, 39, 40				
1544550-2	64	185695-1	40				
1544550-3	64	185847-1	18, 39, 40				
		185847-2	18, 39, 40				



TE CONNECTIVITY ONLINE

TE.com offers an enhanced digital experience, with more than 250,000 parts profiled. The site has deep, rich product data and easier access to tools and services. Other offerings include improved search and navigation and knowledge and idea sharing.



COLLATERAL

TE.com offers a variety of product-specific catalogs, brochures, white papers and other technical information. To download our literature visit

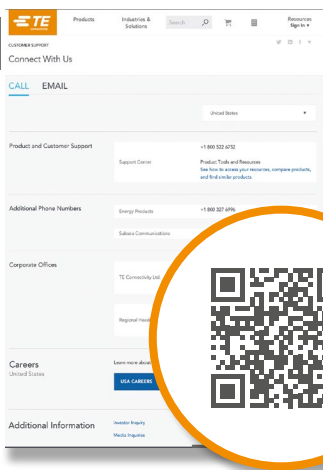
www.te.com/automotiveliterature.html



PRODUCT INFORMATION

Search for a specific product by category, part number or document number.

www.TE.com



STAY CONNECTED

You can rely on TE's PIC Team to answer your general or technical questions. To contact a PIC representative, visit

www.TE.com/support-center

EUROPE

Product Information Center
EMEA

Product Information Center:
Phone: +49 (0)6251 133-1999

UNITED STATES

United States - Harrisburg

Product Information Center:
Phone: +1 800-522-6752
Fax: +1 717-986-7575

SOUTH AMERICA

South America

Phone: +54 11-4733-2015
Fax: +54 11-4733-2083

AFRICA

South Africa -
Port Elizabeth

Phone: +27 41-503-4500
Fax: +27 41-581-0440

ASIA/PACIFIC

Australia - Sydney

Product Information Center:
Phone: +61 2-9840-8200
Fax: +61 2-9634-6188

People's Republic of China

Hong Kong
Phone: +852 2738-8731
Fax: +852 2735-0243

People's Republic of China

Shanghai
Phone: +86 21-3398-0000
Fax: +86 21-3398-1999

Korea - Seoul

Phone: +82 2-3415-4500
Fax: +82 2-3486-3810

DISCLAIMER

While TE Connectivity (TE) has made every reasonable effort to ensure the accuracy of the information in this catalog, TE does not guarantee that it is error-free, nor does TE make any other representation, warranty or guarantee that the information is accurate, correct, reliable or current. TE reserves the right to make any adjustments to the information contained herein at any time without notice.

TE expressly disclaims all implied warranties regarding the information contained herein, including, but not limited to, any implied warranties of merchantability or fitness for a particular purpose. The dimensions in this catalog are for reference purposes only and are subject to change without notice. Specifications are subject to change without notice. Consult TE for the latest dimensions and design specifications.

TRADEMARKS

AMP MCP, MFINITY, MQS, TE, TE Connectivity, TE connectivity (logo), and EVERY CONNECTION COUNTS are trademarks. Other product names, logos, and company names mentioned herein may be trademarks of their respective owners.

COPYRIGHT

© 2018 TE Connectivity

All rights reserved.

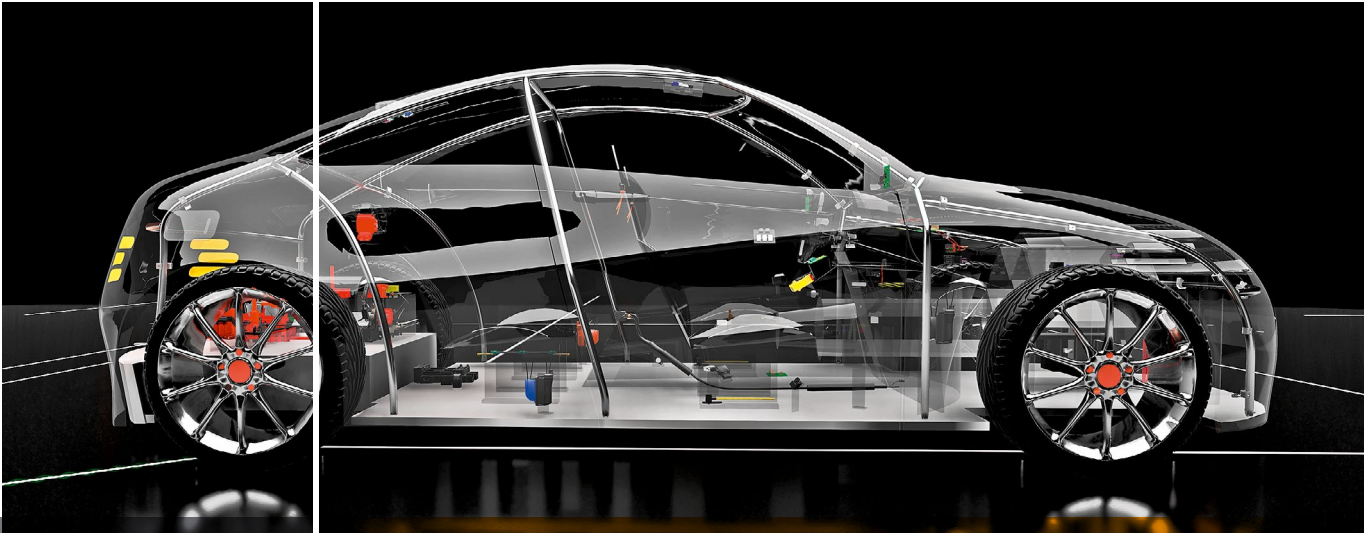
TE Connectivity Germany GmbH certified acc. ISO 14001 and ISO/TS 16949:2002

TE Connectivity Germany GmbH

Ampèrestrasse 12-14 | 64625 Bensheim | Germany

Phone: +49 (0)6251 133-0

Fax: +49 (0)6251 133-1600



1654390-1 | Revised 07-2018 | PoD • RRD